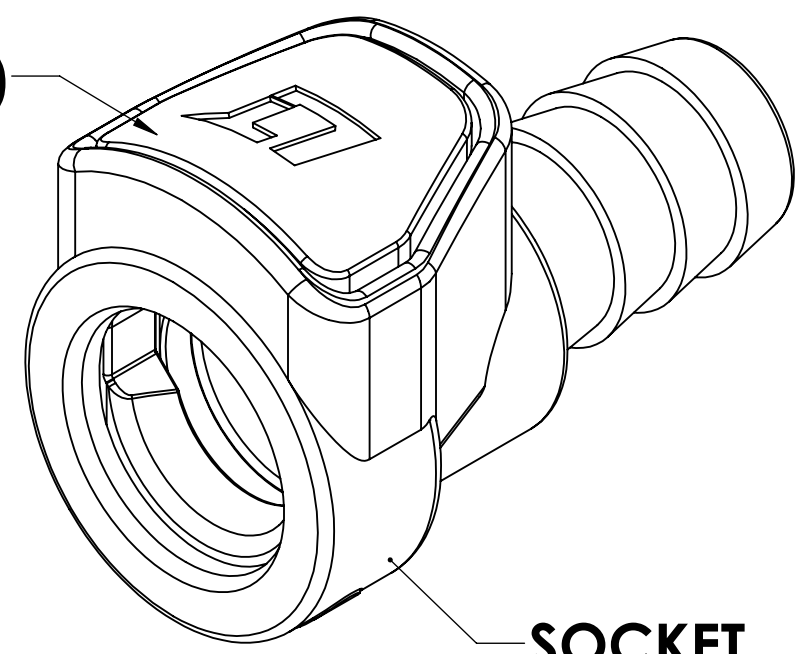


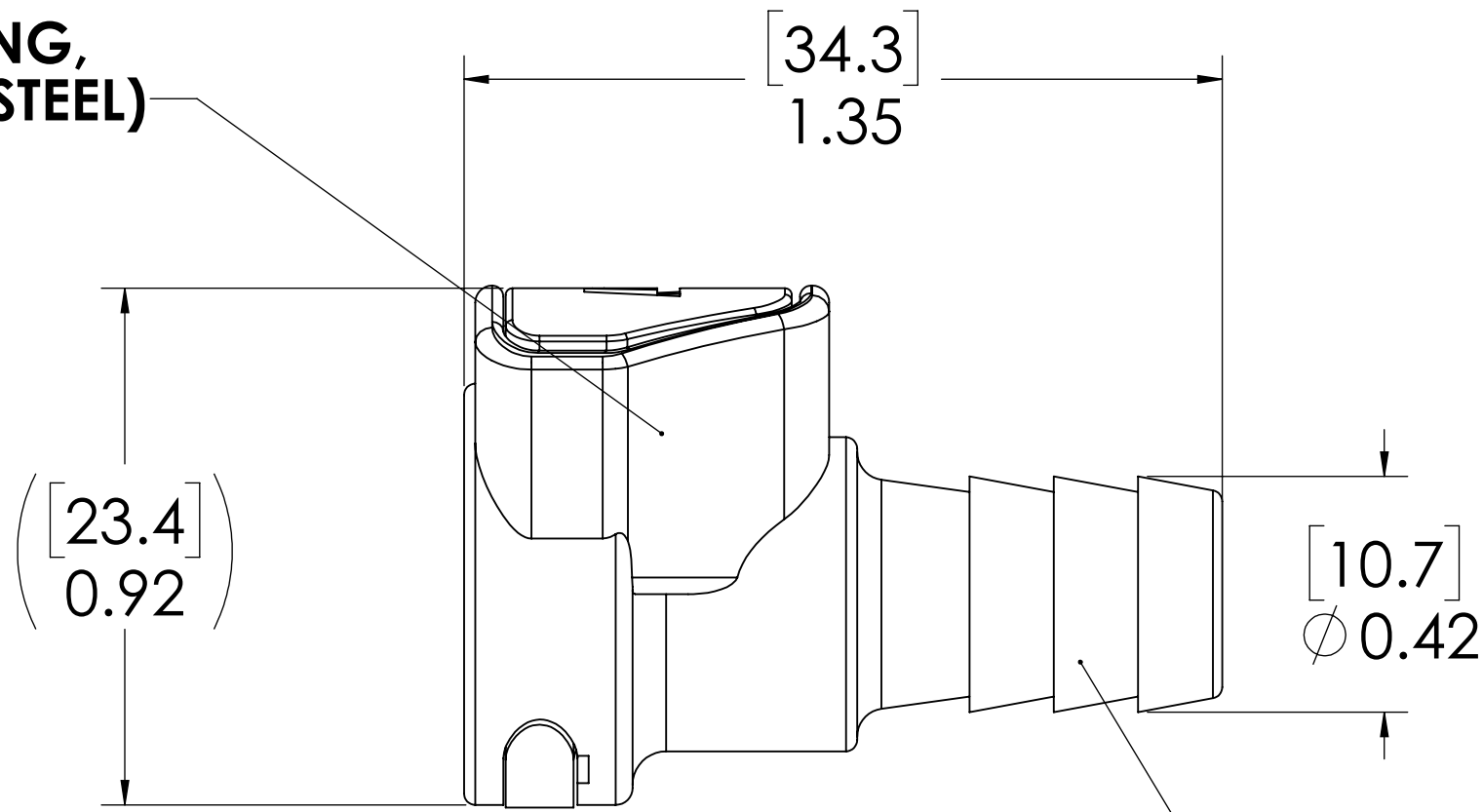
| REVISIONS | | | | | | |
|-----------|------|------|-------|-------------------|-----------|----------|
| SHEET | ZONE | REV. | ECO | DESCRIPTION | DATE | APPROVED |
| 1 | ALL | A | 50253 | DWG FORMAT UPDATE | 4/12/2018 | HRC |

**LATCH,
(ACETAL)**

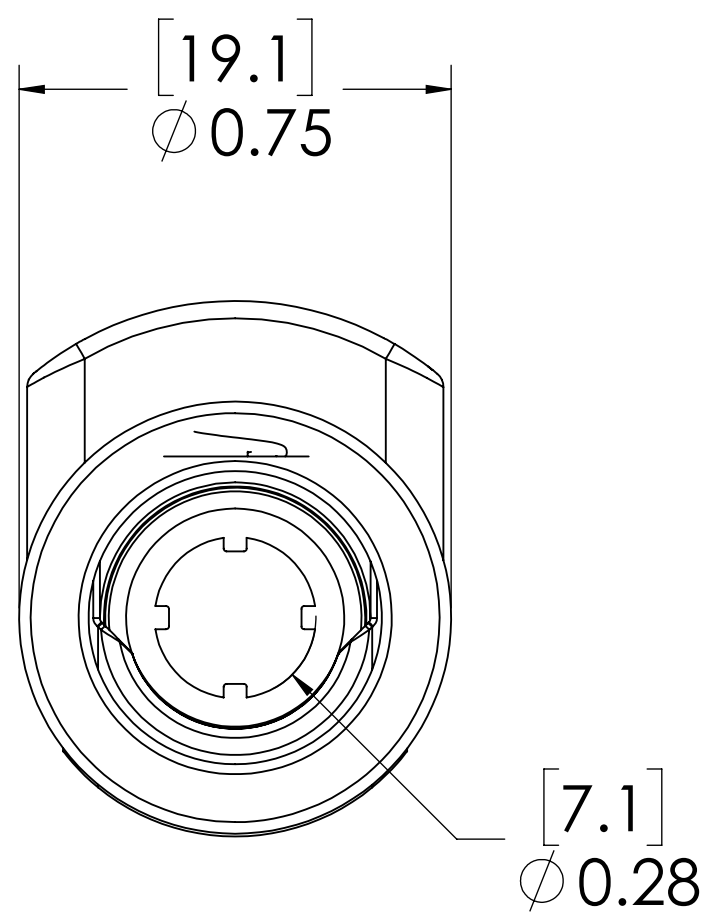


**SOCKET,
(ACETAL)**

**LATCH SPRING,
(STAINLESS STEEL)**



3/8" TUBE ID



FOR REFERENCE ONLY

- NOTES:**
- MATERIAL: ACETAL
 - COLOR: NATURAL WHITE

| | | | | |
|--|------------|-----|----------|--|
| <small>UNLESS OTHERWISE SPECIFIED: DIMENSIONS ARE IN INCHES TOLERANCES: FRACTIONAL ± 1/32 ANGULAR, MACH ± 0.5 BEND ± 2 ONE PLACE DECIMAL ± 0.1 TWO PLACE DECIMAL ± 0.01 THREE PLACE DECIMAL ± 0.005 TWO PLACE DUAL (mm) [±0.12]</small> | DRAWN | ER | 10-23-17 | |
| | CHECKED | HRC | 10-23-17 | |
| | ENG APPR. | HRC | 4-12-18 | |
| | MFG APPR. | BDB | 4-12-18 | |
| <small>PROPRIETARY AND CONFIDENTIAL THE INFORMATION CONTAINED IN THIS DRAWING IS THE SOLE PROPERTY OF LINKTECH LLC. ANY REPRODUCTION OR DISCLOSURE IN PART OR AS A WHOLE WITHOUT THE WRITTEN PERMISSION OF LINKTECH LLC IS STRICTLY PROHIBITED.</small> | PURCHASING | RK | 4-12-18 | PART NO: 50AC-S2-06 DESCRIPTION: LinkTech 50AC Series Straight Female, Non-valved, 3/8" HB, Short Body, Natural Acetal |
| COMMENTS: | | | | SIZE DWG. NO. REV C 50AC500263 A |
| SCALE: NTS WEIGHT: SHEET 1 OF 1 | | | | |