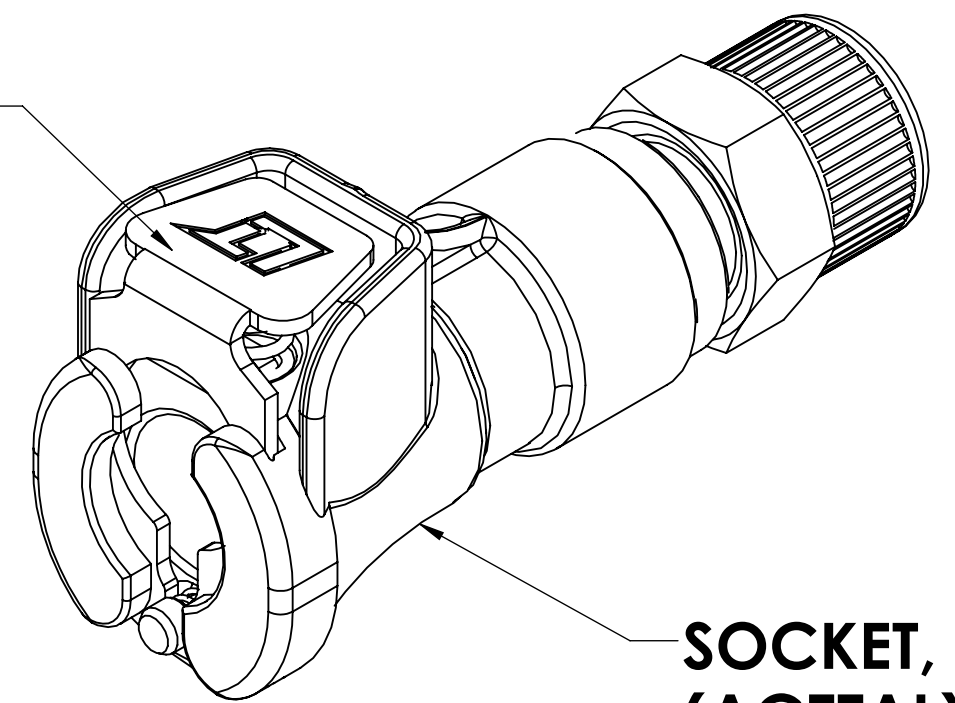
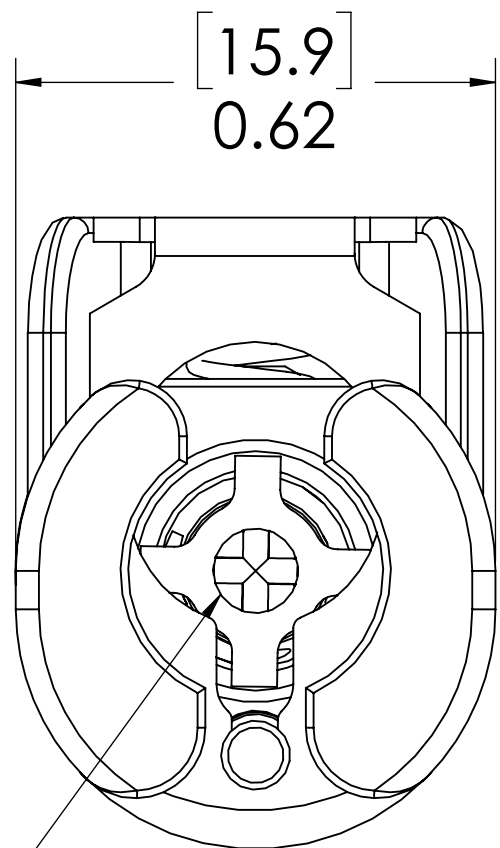


REVISIONS						
SHEET	ZONE	REV.	ECO	DESCRIPTION	DATE	APPROVED
1	ALL	A	50242	PIN, PIN SPRING & FORMAT UPDATE	11/1/2017	HRC

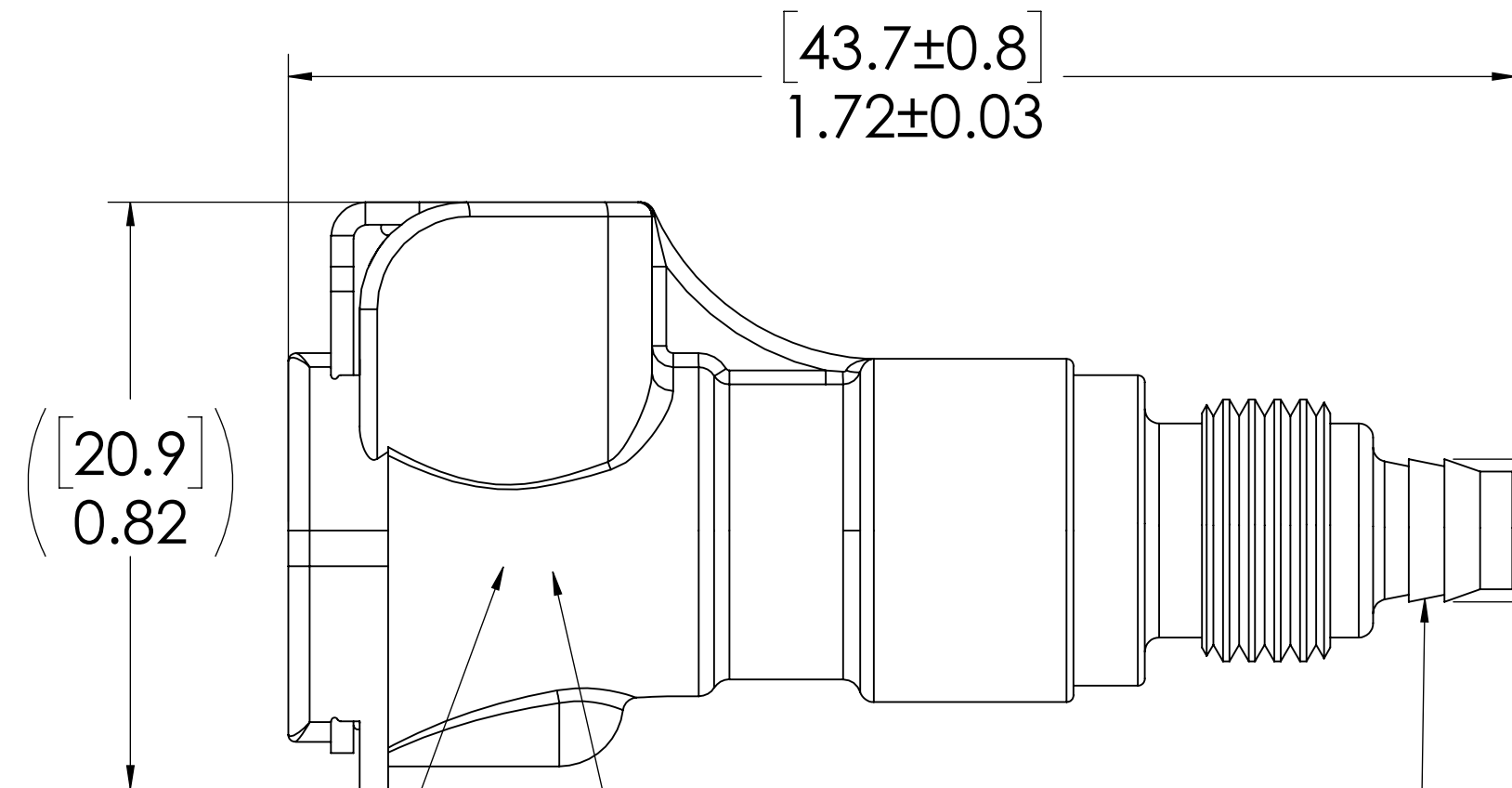
**LATCH
HARDWARE,
(STAINLESS STEEL)**



**SOCKET,
(ACETAL)**



**VALVE,
(ACETAL)**

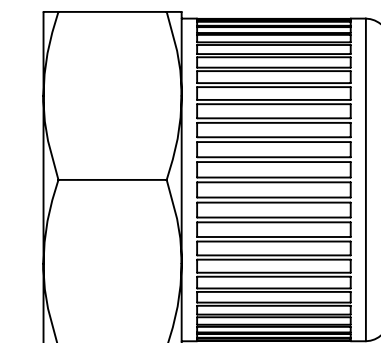


**O-RING
INTERNAL,
(BUNA-N)**

**VALVE
SPRING,
(STAINLESS STEEL)**

5.1
Ø 0.20

1/4" TUBE ID



**PTF NUT,
(BRASS, NICKEL PLATED)
PACKAGED SEPARATELY**

NOTES:

1. MATERIAL: ACETAL
2. COLOR: NATURAL WHITE
3. O-RING MATERIAL: BUNA-N
4. O-RINGS LUBRICATED WITH FOOD GRADE SILICONE OIL, 350 CST.

FOR REFERENCE ONLY

<small>UNLESS OTHERWISE SPECIFIED: DIMENSIONS ARE IN INCHES TOLERANCES: FRACTIONAL ± 1/32 ANGULAR: MACH ± 0.5 BEND ± 2 ONE PLACE DECIMAL ± 0.1 TWO PLACE DECIMAL ± 0.01 THREE PLACE DECIMAL ± 0.005 TWO PLACE DUAL (mm) [± 0.12]</small>	DRAWN	RDA	7/26/2017	
	CHECKED	HRC	7/26/2017	
	ENG APPR.	HRC	11-01-17	
	MFG APPR.	BDB	11-01-17	
<small>PROPRIETARY AND CONFIDENTIAL THE INFORMATION CONTAINED IN THIS DRAWING IS THE SOLE PROPERTY OF LINKTECH LLC. ANY REPRODUCTION OR DISCLOSURE IN PART OR AS A WHOLE WITHOUT THE WRITTEN PERMISSION OF LINKTECH LLC IS STRICTLY PROHIBITED.</small>	Q.A.	RK	11-01-17	PART NO: 20ACV-SB9-04
<small>COMMENTS:</small>				DESCRIPTION: LinkTech 20AC Series Straight Female, Valved, 250 PTF, Natural Acetal
SIZE DWG. NO.		REV		C 20AC200320 A
<small>SCALE: NTS</small>		<small>WEIGHT:</small>		<small>SHEET 1 OF 1</small>