

# R22SL SERIES

High Purity Medium Flow Regulator

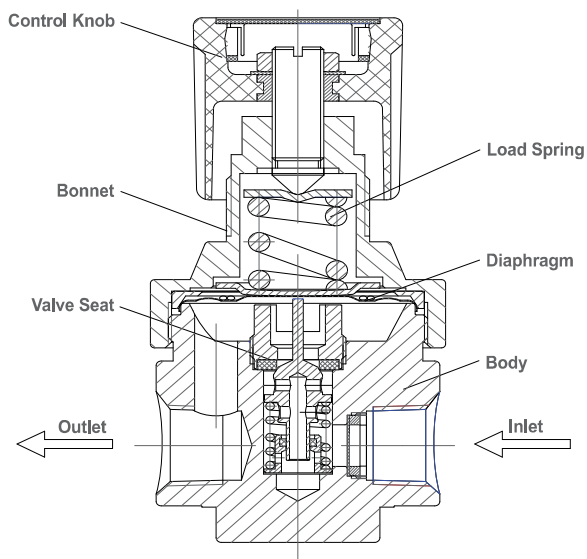
Specialty Gas Equipment



» R22SLJK-DIP-13-13

## Materials

- **Body** 316 Stainless Steel
- **Bonnet** Nickel-Plated Brass Barstock
- **Seat** PCTFE
- **Diaphragm** 316L Stainless Steel
- **Adjusting Knob** ABS Plastic



GENTEC® R22SL Stainless Steel Regulator is a diaphragm-sensed single-stage high purity regulator designed for applications where medium flow is desired.

## Product Features

- Single-Stage Configuration
- Metal-to-Metal Seal
- Inlet & Outlet Port Size: 1/2" NPT(F)
- 2" Pressure Gauge

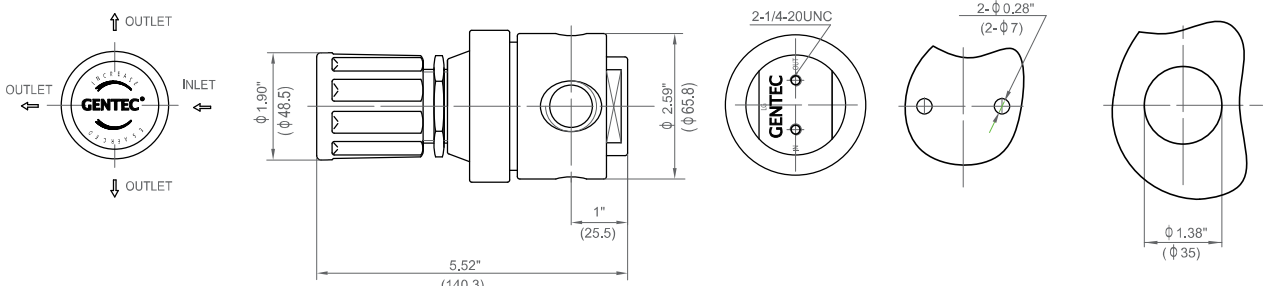
## Applications

- Semiconductor Industry
- Gas Manifold Systems
- Research Laboratories
- Petrochemical Industry
- Power Plants

## Specifications

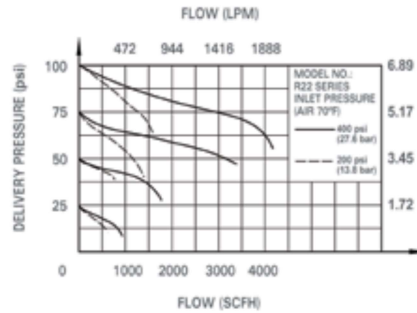
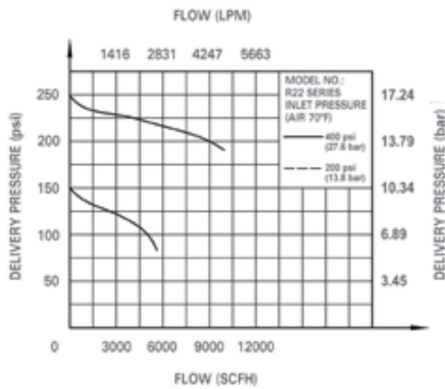
- **Maximum inlet pressure:** 3000 psi (206 bar)
- **Maximum outlet pressure:** 250 psi (17 bar)
- **Safety test pressure:** 1.5 x Maximum inlet pressure
- **Temperature range:** -40 to 165°F (-40 to 74°C)
- **Inboard leakage:**  $2 \times 10^{-8}$  atm.cc/sec He
- **Outboard leakage:**  $2 \times 10^{-8}$  atm.cc/sec He
- **Maximum Cv:** 1.1
- **Weight:** 3.74 lb (1.7 kg)

## Dimensions

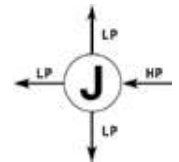


Rear Bracket Mount Front Panel Mount  
Max. Thickness: 1/4" (7mm)

## Flow Data



## Body Port



## Ordering Information

EX: R22SL	J	K -	F	G	K -	13 -	13	Options
Series	Body Ports	Seat	Inlet Pressure Range	Outlet Pressure Ranges	Gauge	Inlet Connections	Outlet Connections	
• R22SL	J	K: PCTFE	D: 3000 psi (206 bar) F: 500 psi (35 bar)	G: 0-250 psi (17 bar) I: 0-100 psi (7 bar) K: 0-50 psi (3 bar) L: 0-25 psi (1.5 bar) Q: 30" Hg Vac-30 psi (2 bar) S: 30" Hg Vac-100 psi (7 bar) T: 30" Hg Vac-200 psi (14 bar)	P: psi / bar K: psi / kPa W: No Gauge	04: 1/2" NPT(F) 05: 1/2" NPT(M) 13: 1/2" GENLOK 15: 6 mm GENLOK 16: 8 mm GENLOK 18: 12 mm GENLOK Other connections available*	04: 1/2" NPT(F) 05: 1/2" NPT(M) 13: 1/2" GENLOK 15: 6 mm GENLOK 16: 8 mm GENLOK 18: 12 mm GENLOK Other connections available*	Blank: None P: Panel Mount H: Hastelloy® Diaphragm

\*: For more connection options contact Gentec.