

R72B SERIES

High Purity Back Pressure Regulator

Specialty Gas Equipment



GENTEC® R72B Series Back Pressure Brass Regulator is a piston-sensed high purity back regulator designed for analytical applications where a constant back pressure is desired.

Product Features

- Piston Type Configuration
- Inlet & Outlet Port Size: 1/4" NPT(F)

» R72BAK-FW-00-00-J

Materials

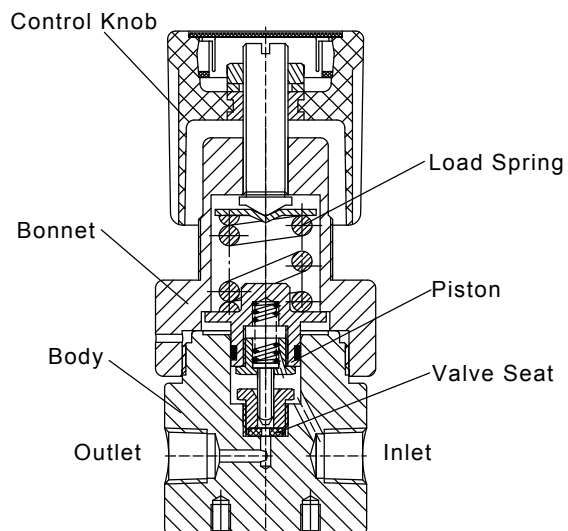
• Body	Nickel-Plated Brass Barstock
• Seat	PCTFE
• Piston	316L Stainless Steel
• Stem	316L Stainless Steel
• Spring	316L Stainless Steel

Applications

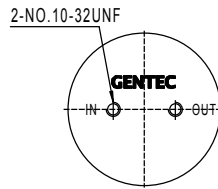
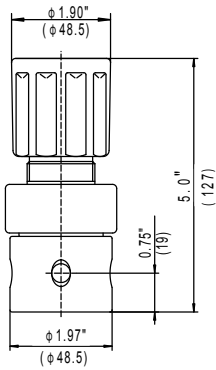
- Research Laboratories
- Gas Chromatography
- Process Analyzers
- Petrochemical Industry

Specifications

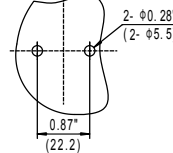
- **Maximum back pressure:** 1500 psi (103 bar)
- **Safety test pressure:** 1.5 x Maximum pressure
- **Temperature range:** -40 to 165°F (-40 to 74°C)
- **Maximum Cv:** 0.14
- **Weight:** 2.65 lb (1.2 kg)



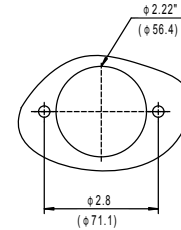
Dimensions



↑ A



Rear Bracket Mount

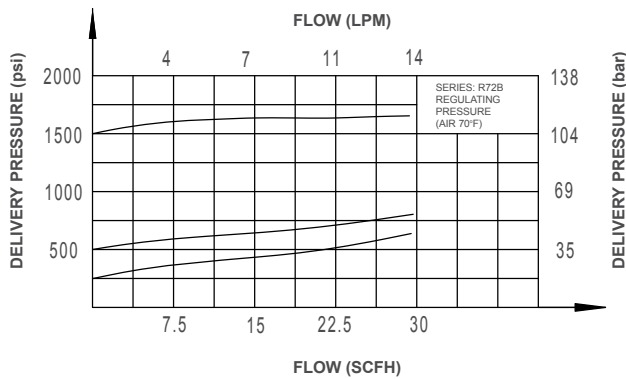


Rock Mount

↑ A

Flow Data

Body Port



Ordering Information

EX:R72B	A	K -	E	W -	00 -	00 -	J
Series	Body Ports	Seat	Inlet Pressure Range	Gauge	Inlet Connections	Outlet Connections	Options
• R72B	A	K: PCTFE	E: 0-1500 psi (103 bar) F: 0-500 psi (35 bar) G: 0-250 psi (17 bar)	W: No Gauge	00: 1/4" NPT(F) Other connections available*	00: 1/4" NPT(F) Other connections available*	Blank: None J: Rack Mount

*: For more connection options contact Gentec.

R77B SERIES

Sensitive Back Pressure Regulator

Specialty Gas Equipment



GENTEC® R77B Series Back Pressure Brass Regulator is a diaphragm high purity regulator designed for analytical applications where a constant back pressure is desired.

Product Features

- Diaphragm Type Configuration
- Inlet & Outlet Port Size: 1/4" NPT(F)

» R77BAK-KW-00-00

Materials

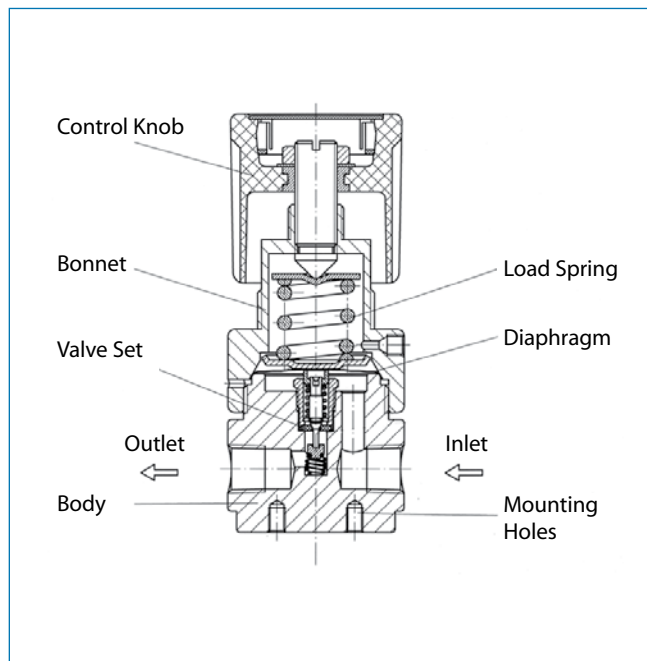
- | | |
|----------|------------------------------|
| • Body | Nickel-Plated Brass Barstock |
| • Seat | PTFE, PCTFE |
| • Piston | 316L Stainless Steel |
| • Stem | 316L Stainless Steel |
| • Spring | 316L Stainless Steel |

Applications

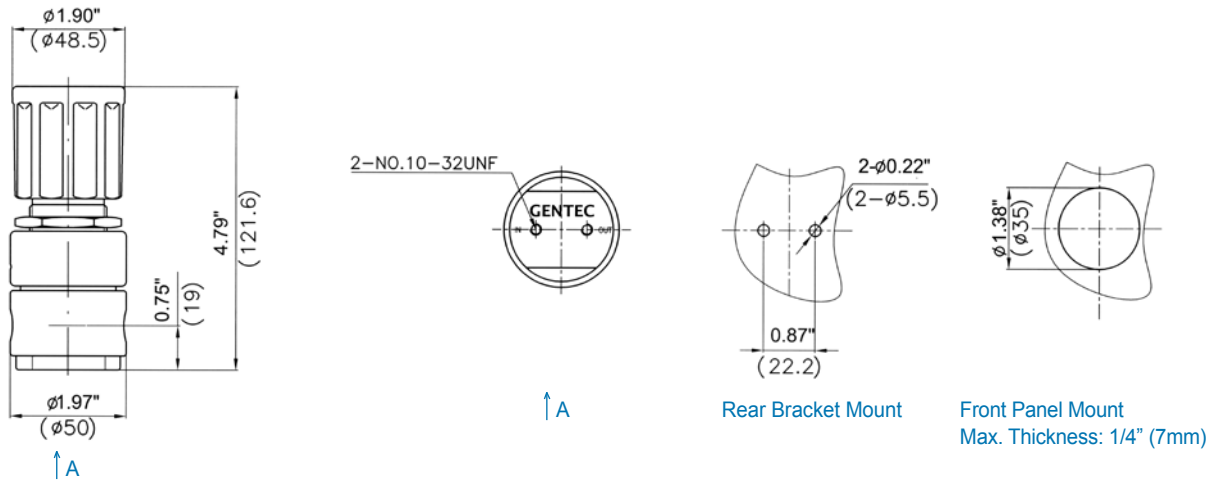
- Research Laboratories
- Gas Chromatography
- Process Analyzers
- Petrochemical Industry

Specifications

- **Maximum back pressure:** 250 psi (17 bar)
- **Safety test pressure:** 1.5 x Maximum pressure
- **Temperature range:** -40 to 165°F (-40 to 74°C)
- **Inboard leakage:** 2×10^{-8} atm.cc/sec He
- **Outboard leakage:** 2×10^{-8} atm.cc/sec He
- **Maximum Cv:** 0.08
- **Weight:** 2.0 lb (0.9 kg)

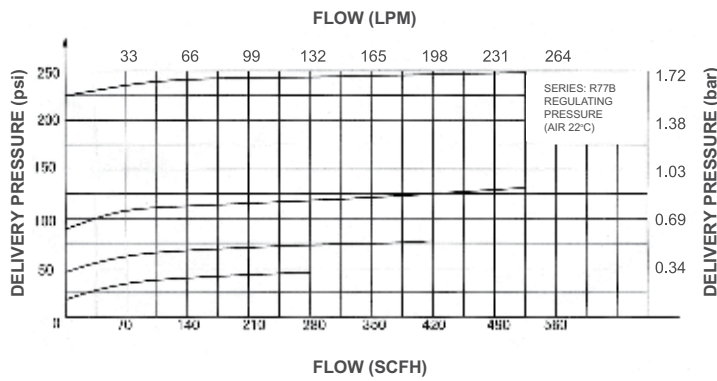


Dimensions



Flow Data

Body Port



Ordering Information

EX:R77B	A	K -	K	W -	00 -	00 -	P
Series	Body Ports	Seat	Inlet Pressure Range	Gauge	Inlet Connections	Outlet Connections	Options
• R77B	A	K: PCTFE T: PTFE	G: 0-250 psi (17 bar) I: 0-100 psi (7 bar) K: 0-50 psi (3 bar) L: 0-25 psi (1.5 bar)	W: No Gauge	00: 1/4" NPT(F) Other connections available*	00: 1/4" NPT(F) Other connections available*	Blank: None P: Panel Mount

*: For more connection options contact Gentec.