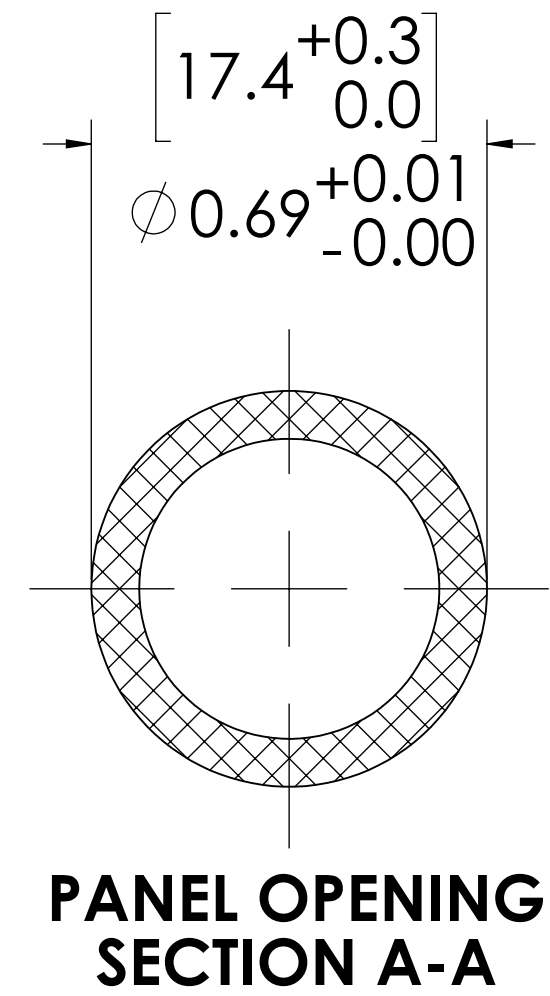
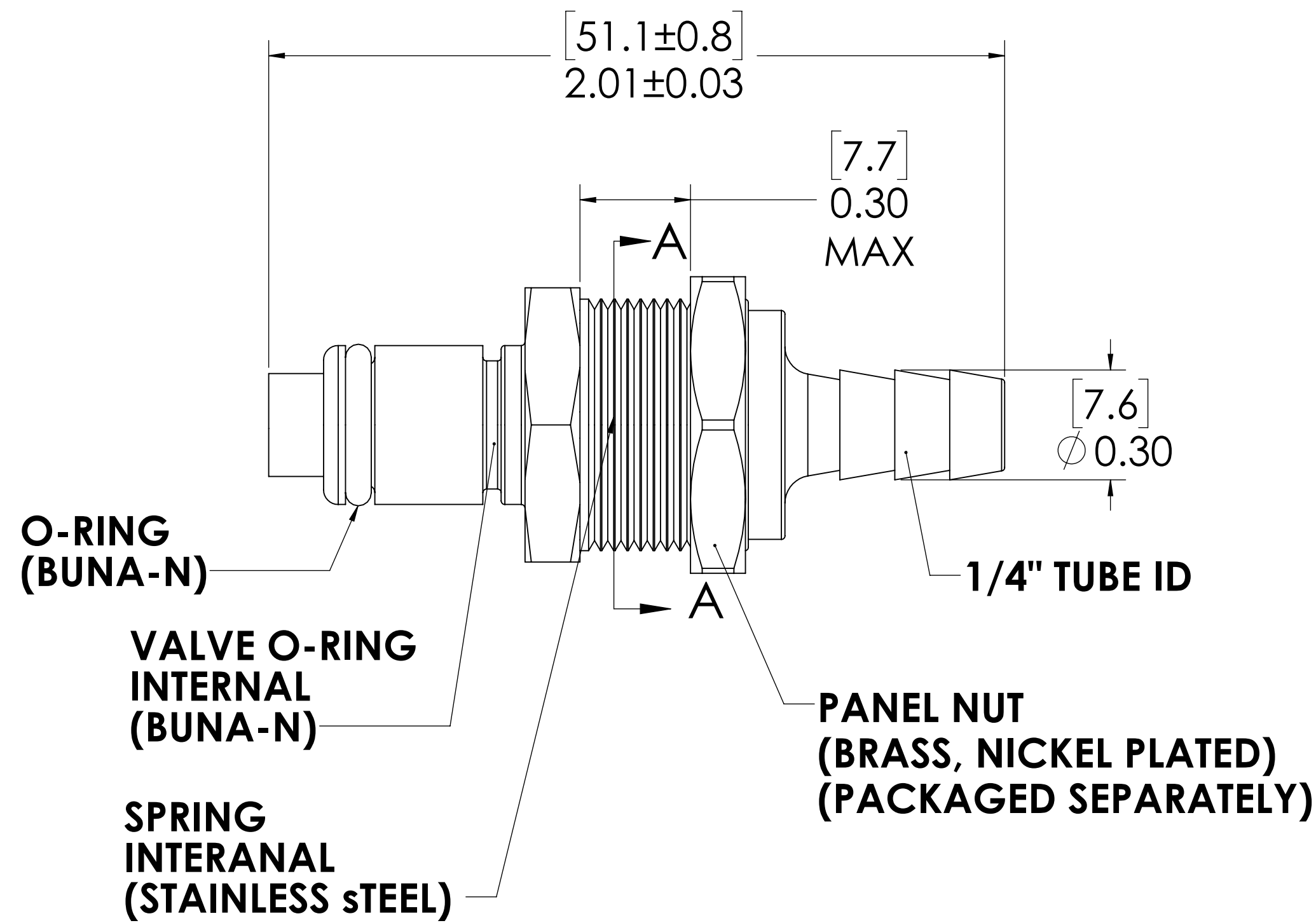
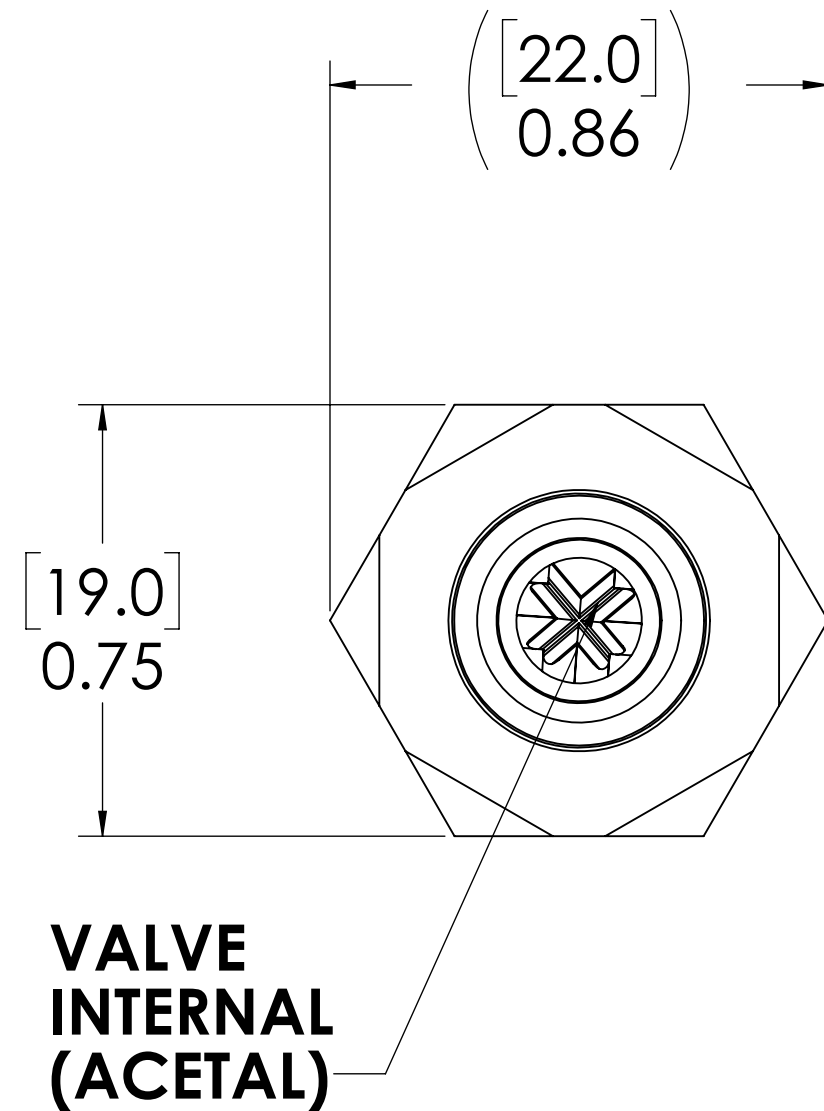
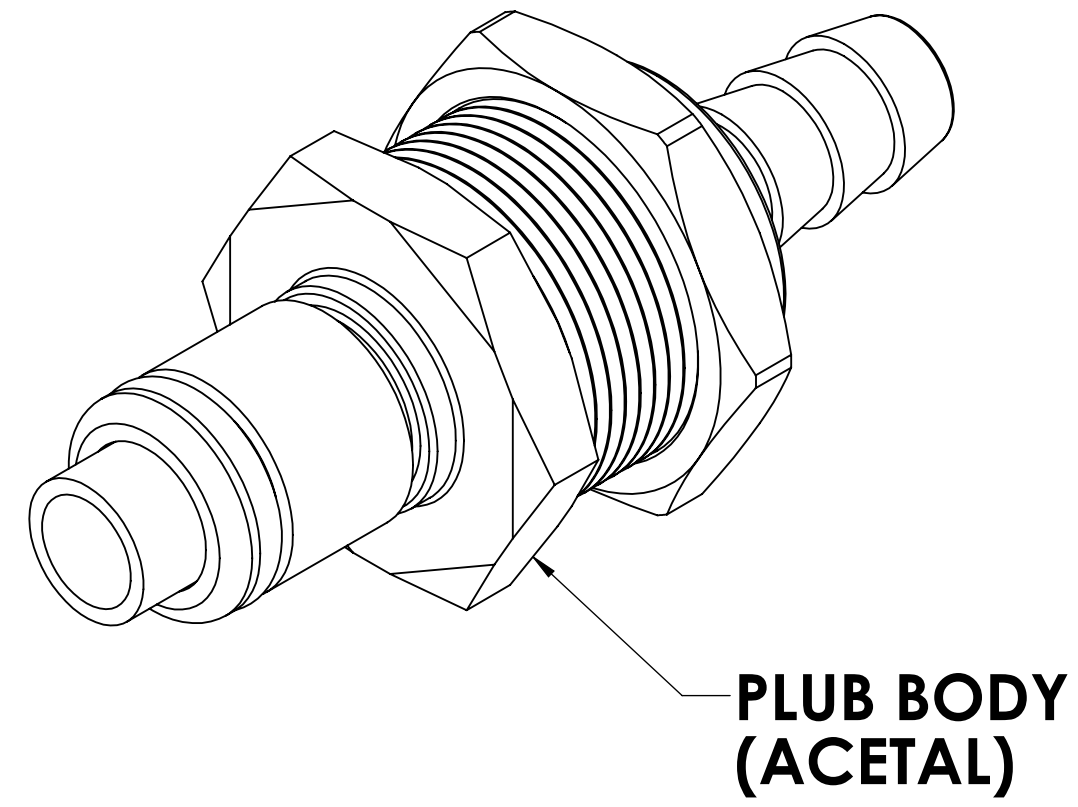


REVISIONS						
SHEET	ZONE	REV.	ECO	DESCRIPTION	DATE	APPROVED
1	ALL	A	50238	ADDED SPRING STOP & FORMAT UPDATE	4/28/2017	HRC
1	ALL	B	50253	UPDATE DWG TO CURRENT FORMAT & STANDARDS	10/4/2018	HRC



- NOTES:**
1. MATERIAL: ACETAL
 2. COLOR: NATURAL WHITE
 3. O-RING MATERIAL: BUNA-N
 4. O-RINGS LUBRICATED WITH FOOD GRADE SILICONE OIL, 350 CST.

FOR REFERENCE ONLY

<small>UNLESS OTHERWISE SPECIFIED: DIMENSIONS ARE IN INCHES TOLERANCES: FRACTIONAL $\pm 1/32$ ANGULAR: MACH ± 0.5 BEND ± 2 ONE PLACE DECIMAL ± 0.1 TWO PLACE DECIMAL ± 0.01 THREE PLACE DECIMAL ± 0.005 TWO PLACE DUAL (mm) $\left[\pm 0.12 \right]$</small>	DRAWN	LDM	1-2-17	
	CHECKED	HRC	1-2-17	
	ENG APPR.	HRC	10/4/18	
	MFG APPR.	BDB	10/4/18	
PRODUCTION	LS	10/4/18		PART NO: 40ACV-PB3-04 DESCRIPTION: LinkTech 40AC Series Panel Mt. Male, Valved, 1/4" HB, Natural Acetal
<small>PROPRIETARY AND CONFIDENTIAL THE INFORMATION CONTAINED IN THIS DRAWING IS THE SOLE PROPERTY OF LINKTECH LLC. ANY REPRODUCTION OR DISCLOSURE IN PART OR AS A WHOLE WITHOUT THE WRITTEN PERMISSION OF LINKTECH LLC IS STRICTLY PROHIBITED.</small>	COMMENTS:			SIZE DWG. NO. REV C 40AC400190 B
	SCALE: NTS	WEIGHT:		SHEET 1 OF 1