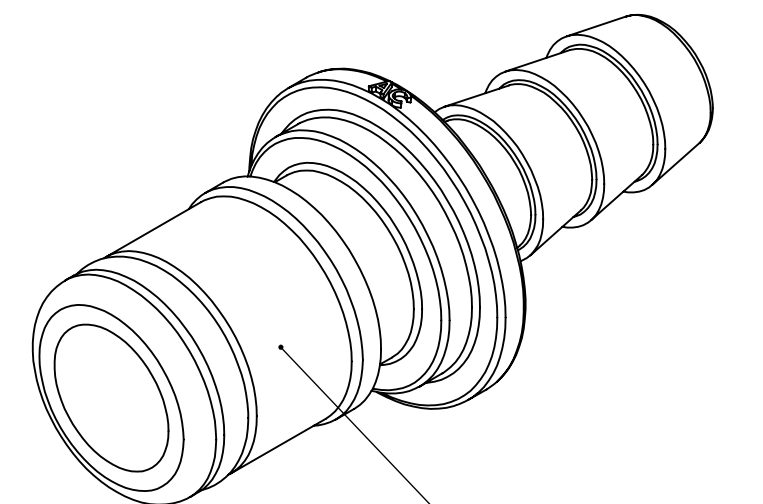
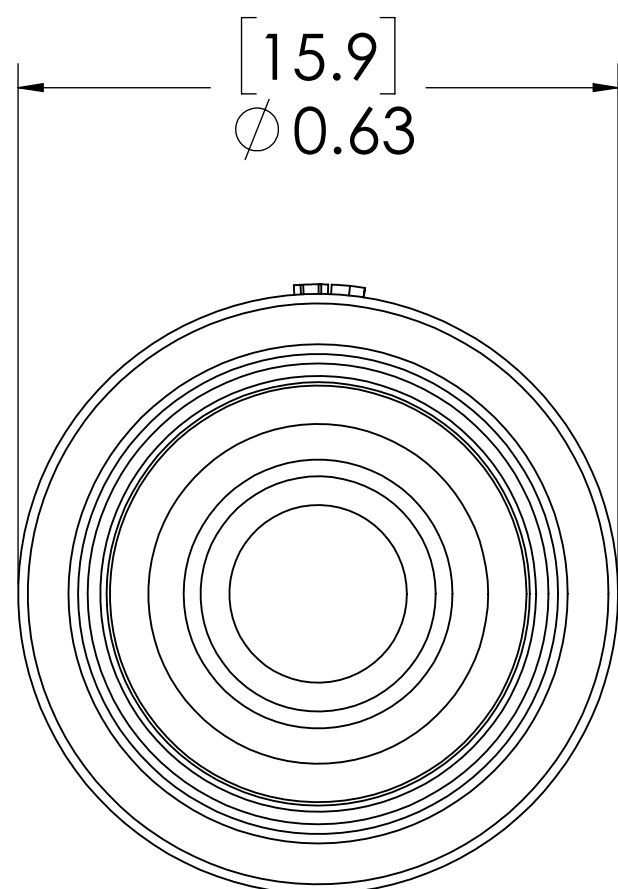


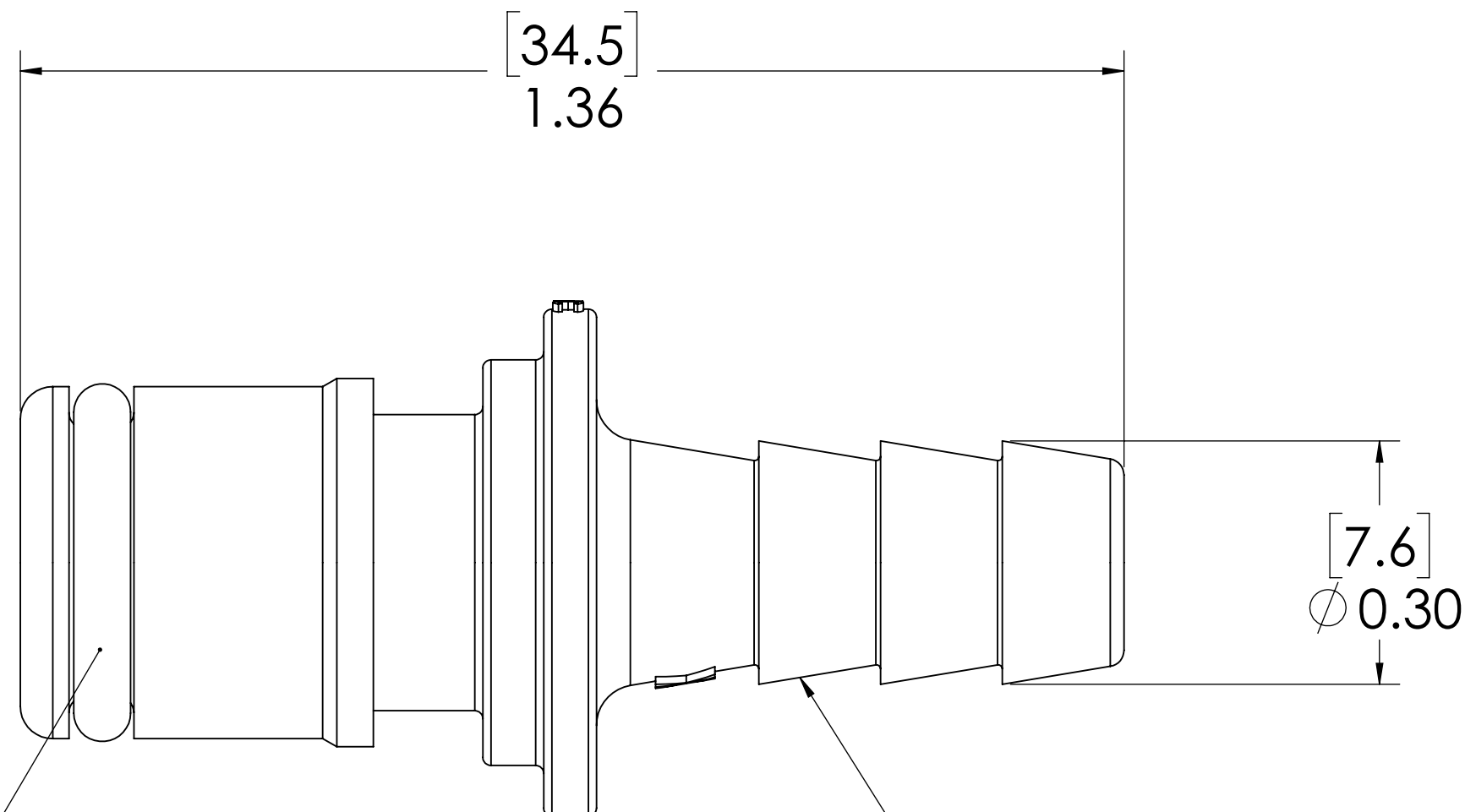
REVISIONS						
SHEET	ZONE	REV.	ECO	DESCRIPTION	DATE	APPROVED
1	ALL	A	50253	DRAFTING UPDATE	2/13/2018	HRC



**PLUG,
(ACETAL)**



**O-RING
(BUNA-N)**




1/4" TUBE ID

NOTES:

1. MATERIAL: ACETAL
2. COLOR: NATURAL WHITE
3. O-RING MATERIAL: BUNA-N
4. O-RINGS LUBRICATED WITH FOOD GRADE SILICONE OIL, 350 CST.

FOR REFERENCE ONLY

<small>UNLESS OTHERWISE SPECIFIED: DIMENSIONS ARE IN INCHES TOLERANCES: FRACTIONAL ± 1/32 ANGULAR: MACH ± 0.5 BEND ± 2 ONE PLACE DECIMAL ± 0.1 TWO PLACE DECIMAL ± 0.01 THREE PLACE DECIMAL ± 0.005 TWO PLACE DUAL (mm) [± 0.12]</small>	DRAWN	NAME	DATE	 PART NO: 50AC-PB2-04 DESCRIPTION: LinkTech 50AC Series Straight Male, Non-valved, 1/4" HB, Natural Acetal
	CHECKED	HRC	3/9/2017	
	ENG APPR.	HRC	02-13-18	
	MFG APPR.	BDB	02-13-18	
<small>PROPRIETARY AND CONFIDENTIAL</small> <small>THE INFORMATION CONTAINED IN THIS DRAWING IS THE SOLE PROPERTY OF LINKTECH LLC. ANY REPRODUCTION OR DISCLOSURE IN PART OR AS A WHOLE WITHOUT THE WRITTEN PERMISSION OF LINKTECH LLC IS STRICTLY PROHIBITED.</small>	Q.A.	JJB	02-13-18	<small>SIZE</small> C
<small>COMMENTS:</small>			<small>DWG. NO.</small> 50AC500232	<small>REV</small> A
<small>SCALE: NTS</small>		<small>WEIGHT:</small>	<small>SHEET 1 OF 1</small>	