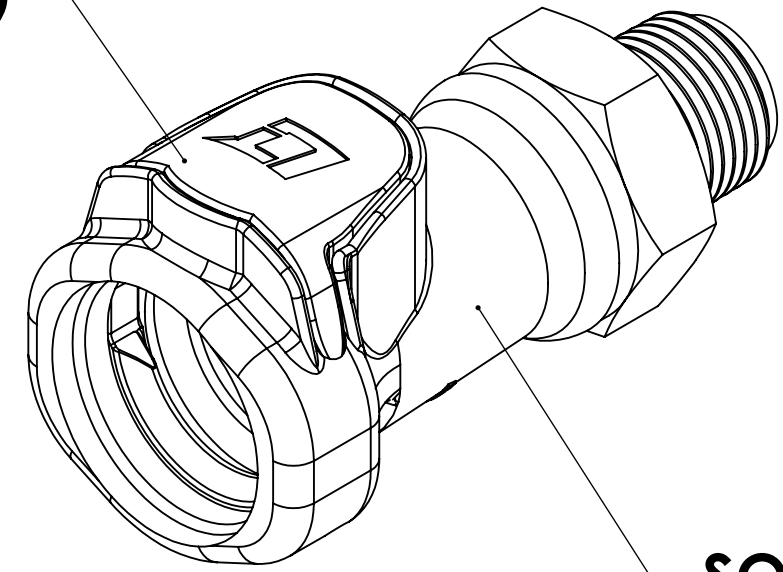
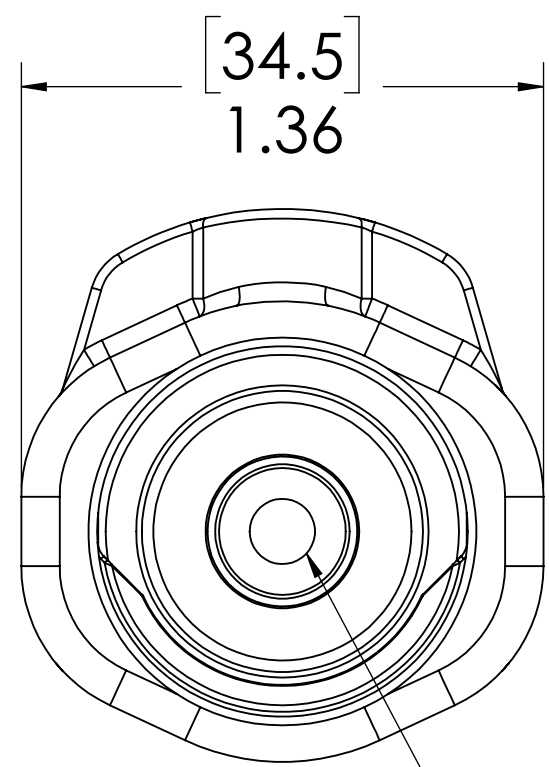


REVISIONS						
SHEET	ZONE	REV.	ECO	DESCRIPTION	DATE	APPROVED
1	D-7	A	.....	UPDATED LATCH SPRING	8/20/2014	HRC
1	A-8	A	.....	ADDED O-RING LUBRICATION NOTE	8/20/2014	HRC
1	ALL	A	50108	INITIAL RELEASE	9/9/2014	HRC
1	ALL	B	50253	UPDATE DWG TO CURRENT FORMAT & STANDARDS	10/16/2018	HRC

**LATCH  
(POLYSULFONE)**

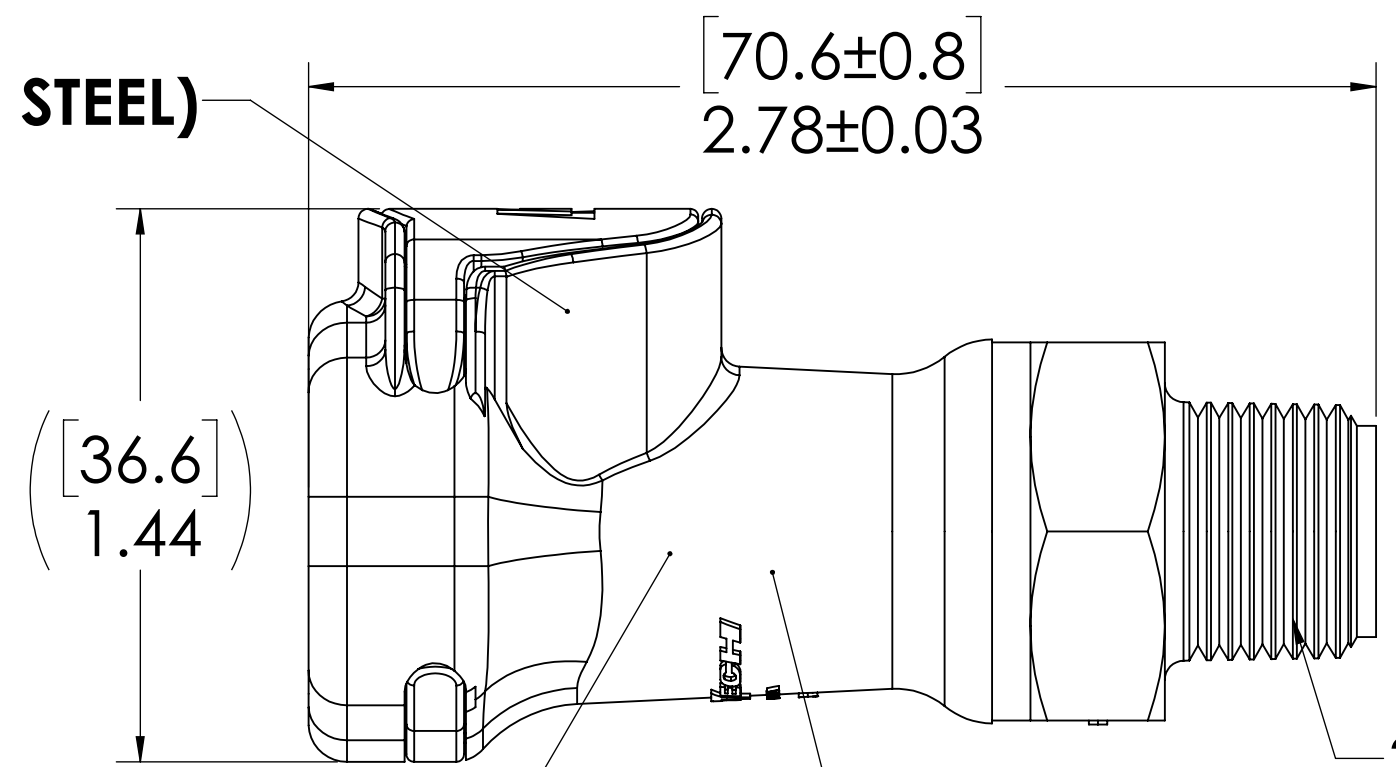


**SOCKET  
(POLYSULFONE)**



**VALVE  
INTERNAL  
(POLYSULFONE)**

**LATCH SPRING  
INTERNAL  
(STAINLESS STEEL)**




**VALVE O-RING  
INTERNAL  
(EPDM)**

**VALVE SPRING  
INTERNAL  
(STAINLESS STEEL)**

**3/8" NPT  
(PIPE THREAD)**

- NOTES:**
1. MATERIAL: POLYSULFONE
  2. COLOR: WHITE
  3. O-RING MATERIAL: EPDM
  4. O-RINGS LUBRICATED WITH FOOD GRADE SILICONE OIL, 350 CST.

**FOR REFERENCE ONLY**

<small>UNLESS OTHERWISE SPECIFIED: DIMENSIONS ARE IN INCHES TOLERANCES: FRACTIONAL ± 1/32 ANGULAR, MACH ± 0.5 BEND ± 2 ONE PLACE DECIMAL ± 0.1 TWO PLACE DECIMAL ± 0.01 THREE PLACE DECIMAL ± 0.005 TWO PLACE DUAL (mm) [±0.12]</small>	DRAWN	<b>LMP</b>	<b>7/3/2018</b>	 <b>PART NO: 60PSV-SE1-06</b> <b>DESCRIPTION: LinkTech 60PS Series, Male Thread Socket, Valved, 3/8" MNPT</b>
	CHECKED	<b>HRC</b>	<b>7/3/2018</b>	
	ENG APPR.	<b>HRC</b>	<b>10/16/18</b>	
	MFG APPR.	<b>BDB</b>	<b>10/16/18</b>	
PRODUCTION	<b>LS</b>	<b>10/16/18</b>		<small>PROPRIETARY AND CONFIDENTIAL</small> <small>THE INFORMATION CONTAINED IN THIS DRAWING IS THE SOLE PROPERTY OF LINKTECH LLC. ANY REPRODUCTION OR DISCLOSURE IN PART OR AS A WHOLE WITHOUT THE WRITTEN PERMISSION OF LINKTECH LLC IS STRICTLY PROHIBITED.</small>
<small>SIZE DWG. NO. REV</small> <b>C 60PS600072 B</b>		<small>SCALE: NTS WEIGHT: SHEET 1 OF 1</small>		