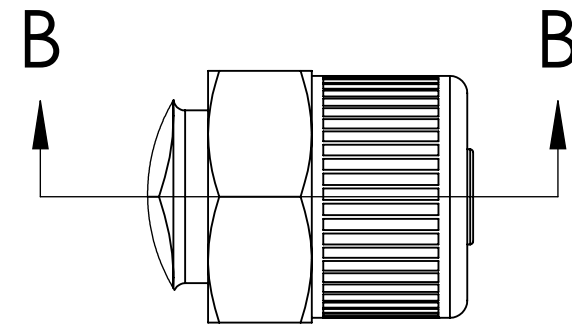
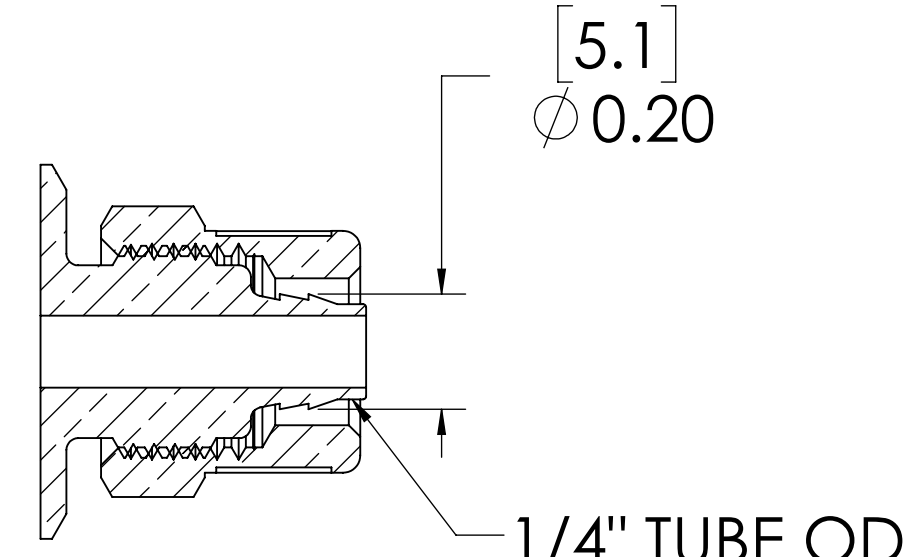


REVISIONS						
SHEET	ZONE	REV.	ECO	DESCRIPTION	DATE	APPROVED
1	ALL	A	50253	2017 FORMAT UPDATE	3/23/2018	HRC

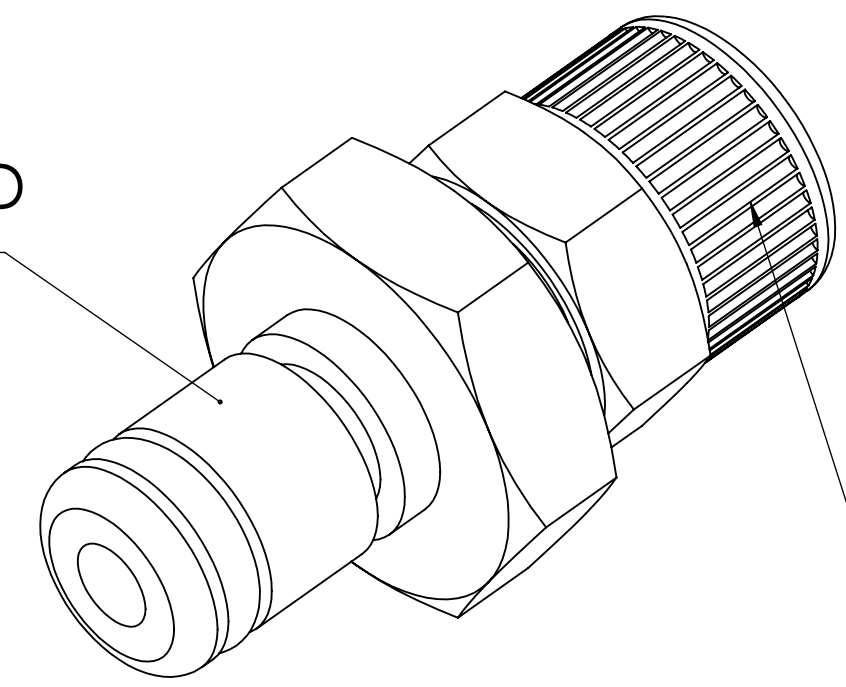


DETAIL A

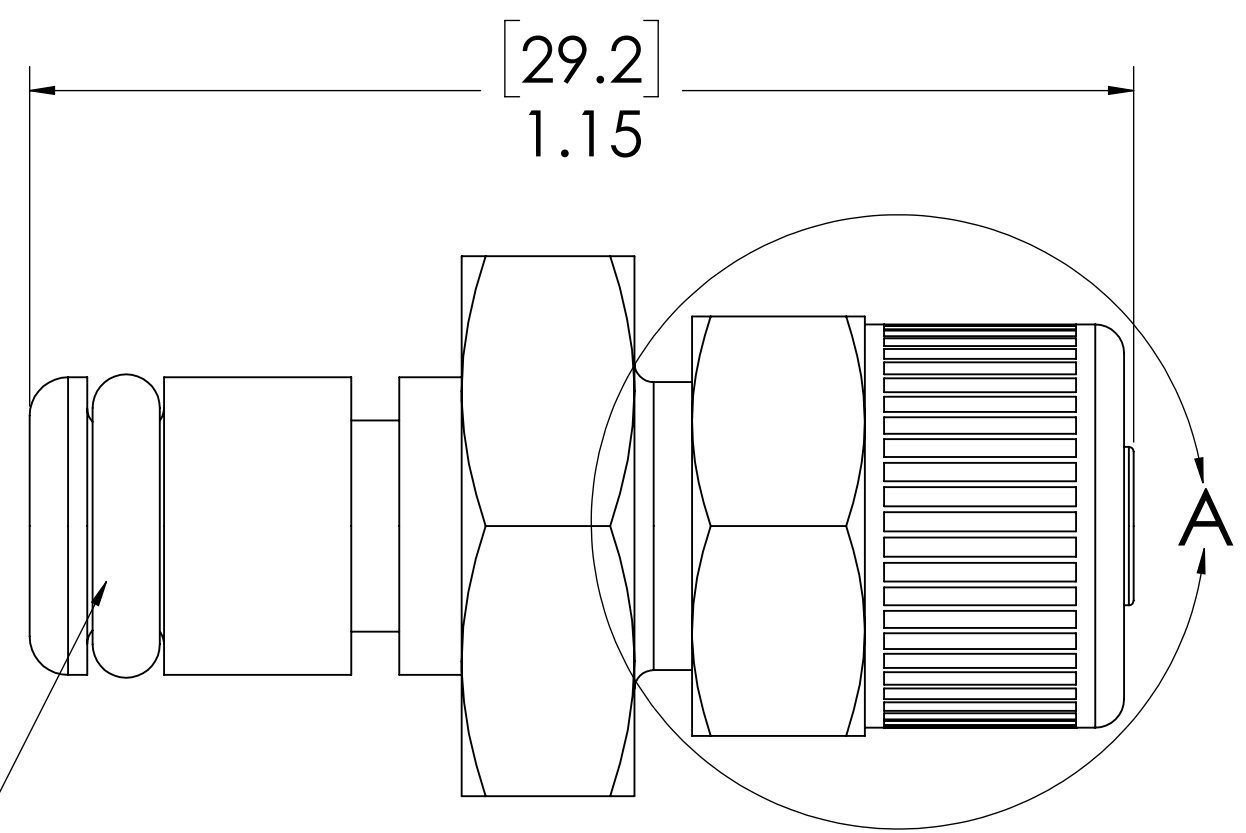
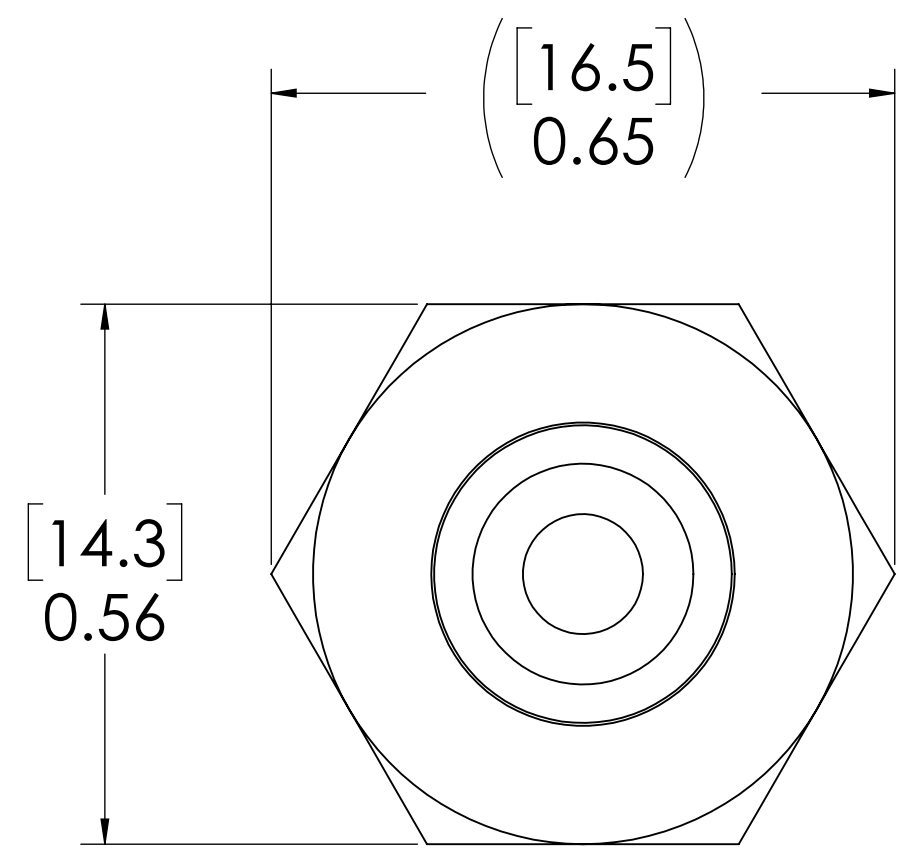


SECTION B-B

PLUG,
(BRASS, NICKEL AND
CHROME PLATED)



PTF NUT,
(BRASS, NICKEL PLATED)
(PACKAGED SEPERATELY)



O-RING,
(BUNA-N)

NOTES:

- MATERIAL: BRASS
- FINISH: CHROME
- O-RING MATERIAL: BUNA-N
- O-RINGS LUBRICATED WITH FOOD GRADE SILICONE OIL, 350 CST.

FOR REFERENCE ONLY

<small>UNLESS OTHERWISE SPECIFIED: DIMENSIONS ARE IN INCHES TOLERANCES: FRACTIONAL ± 1/32 ANGULAR: MACH ± 0.5 BEND ± 2 ONE PLACE DECIMAL ± 0.1 TWO PLACE DECIMAL ± 0.01 THREE PLACE DECIMAL ± 0.005 TWO PLACE DUAL (mm) [± 0.12]</small>	DRAWN	CBH	8/1/2017	
	CHECKED	HRC	08-01-17	
	ENG APPR.	HRC	03-23-18	
	MFG APPR.	BDB	03-23-18	
<small>PROPRIETARY AND CONFIDENTIAL</small>	Q.A.	RK	03-23-18	PART NO: 20CB-PB9-04
<small>THE INFORMATION CONTAINED IN THIS DRAWING IS THE SOLE PROPERTY OF LINKTECH LLC. ANY REPRODUCTION OR DISCLOSURE IN PART OR AS A WHOLE WITHOUT THE WRITTEN PERMISSION OF LINKTECH LLC IS STRICTLY PROHIBITED.</small>	COMMENTS:			<small>DESCRIPTION:</small> LinkTech 20CB Series Straight Male, Non-valved, 1/4 PTF, Chrome Brass
	SIZE	DWG. NO.	REV	
	C	20CB200016	A	
	SCALE: NTS	WEIGHT:		SHEET 1 OF 1