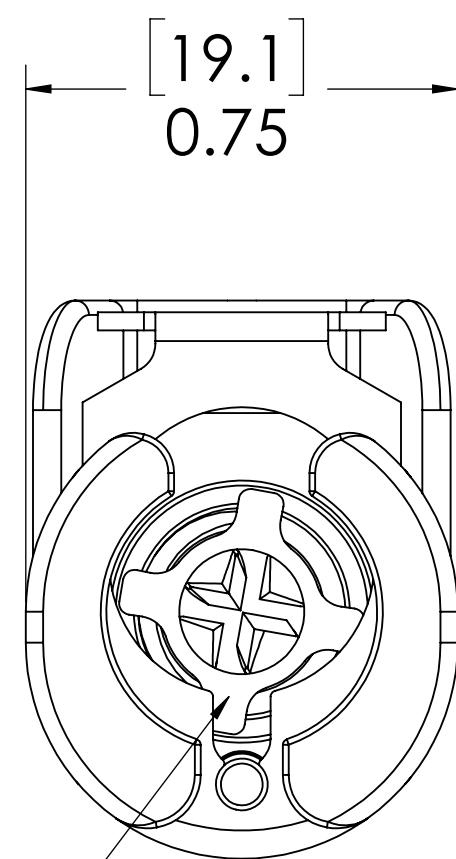
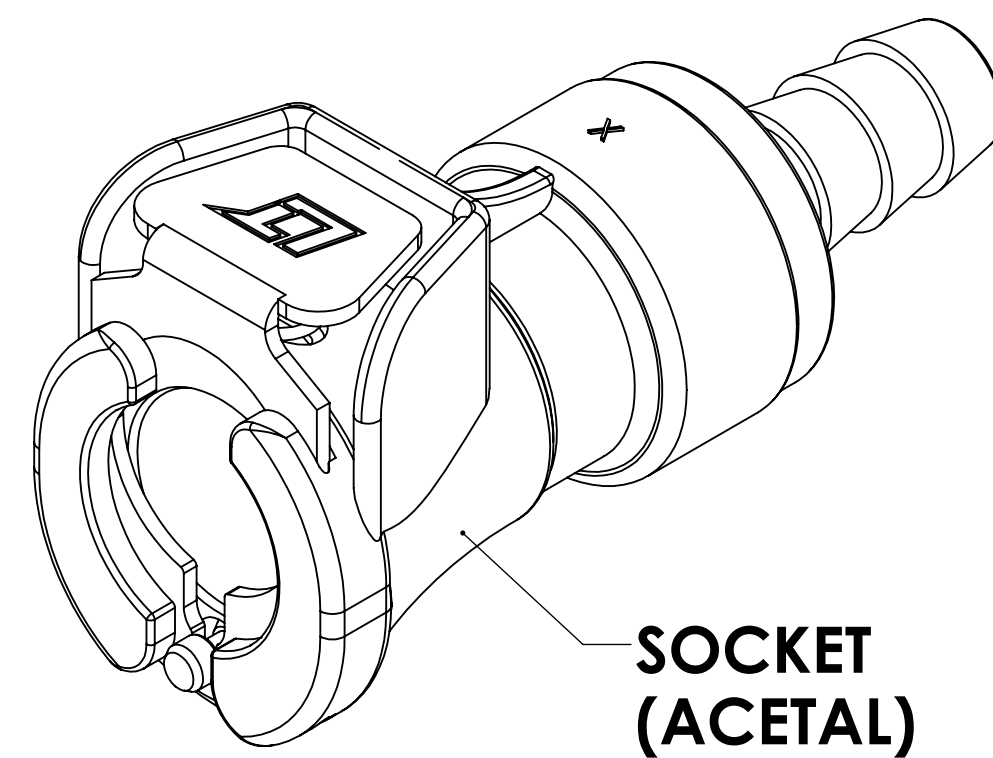
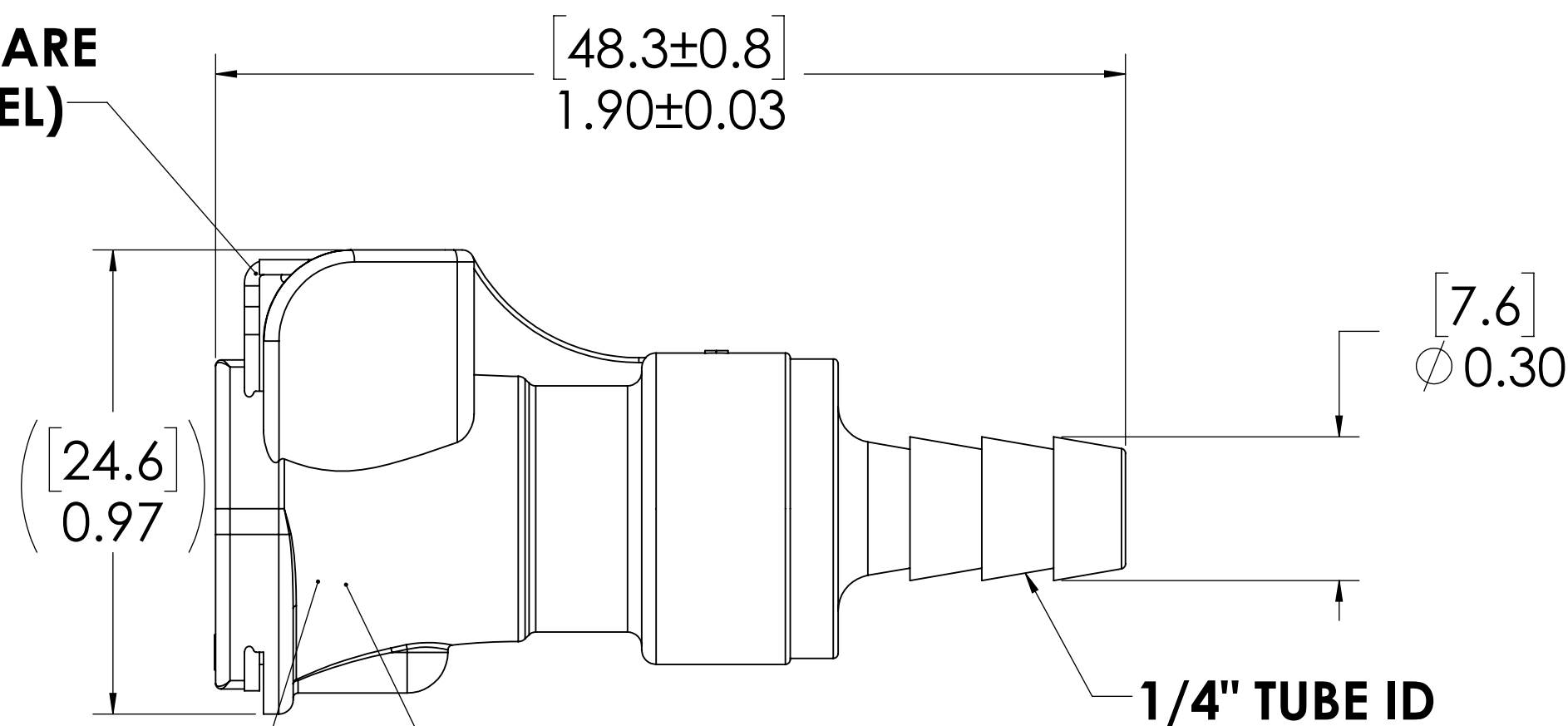


REVISIONS						
SHEET	ZONE	REV.	ECO	DESCRIPTION	DATE	APPROVED
ALL	ALL	A	50242	PIN, PIN SPRING & FORMAT UPDATE	6/27/2017	HRC



**LATCH HARDWARE (STAINLESS STEEL)**



**VALVE (ACETAL)**

**NOTES:**

- MATERIAL: ACETAL
- COLOR: NATURAL WHITE
- O-RING MATERIAL: BUNA-N
- O-RINGS LUBRICATED WITH FOOD GRADE SILICONE OIL, 350 CST.

**FOR REFERENCE ONLY**

<small>UNLESS OTHERWISE SPECIFIED:          DIMENSIONS ARE IN INCHES          TOLERANCES:          FRACTIONAL ± 1/32          ANGULAR: MACH ± 0.5 BEND ± 2          ONE PLACE DECIMAL ± 0.1          TWO PLACE DECIMAL ± 0.01          THREE PLACE DECIMAL ± 0.005          TWO PLACE DUAL (mm) [± 0.12]</small>	DRAWN	NAME	DATE	
	CHECKED	HRC	6-22-17	
	ENG APPR.	HRC	6/27/17	
	MFG APPR.	BDB	6/27/17	
<small>PROPRIETARY AND CONFIDENTIAL</small>	Q.A.	JJB	6/27/17	PART NO: 40ACV-SB2-04 DESCRIPTION: 1/4" HOSE BARB VALVED ACETAL SOCKET ASSEMBLY DRAWING
<small>THE INFORMATION CONTAINED IN THIS DRAWING IS THE SOLE PROPERTY OF LINKTECH LLC. ANY REPRODUCTION OR DISCLOSURE IN PART OR AS A WHOLE WITHOUT THE WRITTEN PERMISSION OF LINKTECH LLC IS STRICTLY PROHIBITED.</small>	COMMENTS:			SIZE DWG. NO. REV <b>C</b> 40AC400204 <b>A</b>
				SCALE: NTS WEIGHT: SHEET 1 OF 1