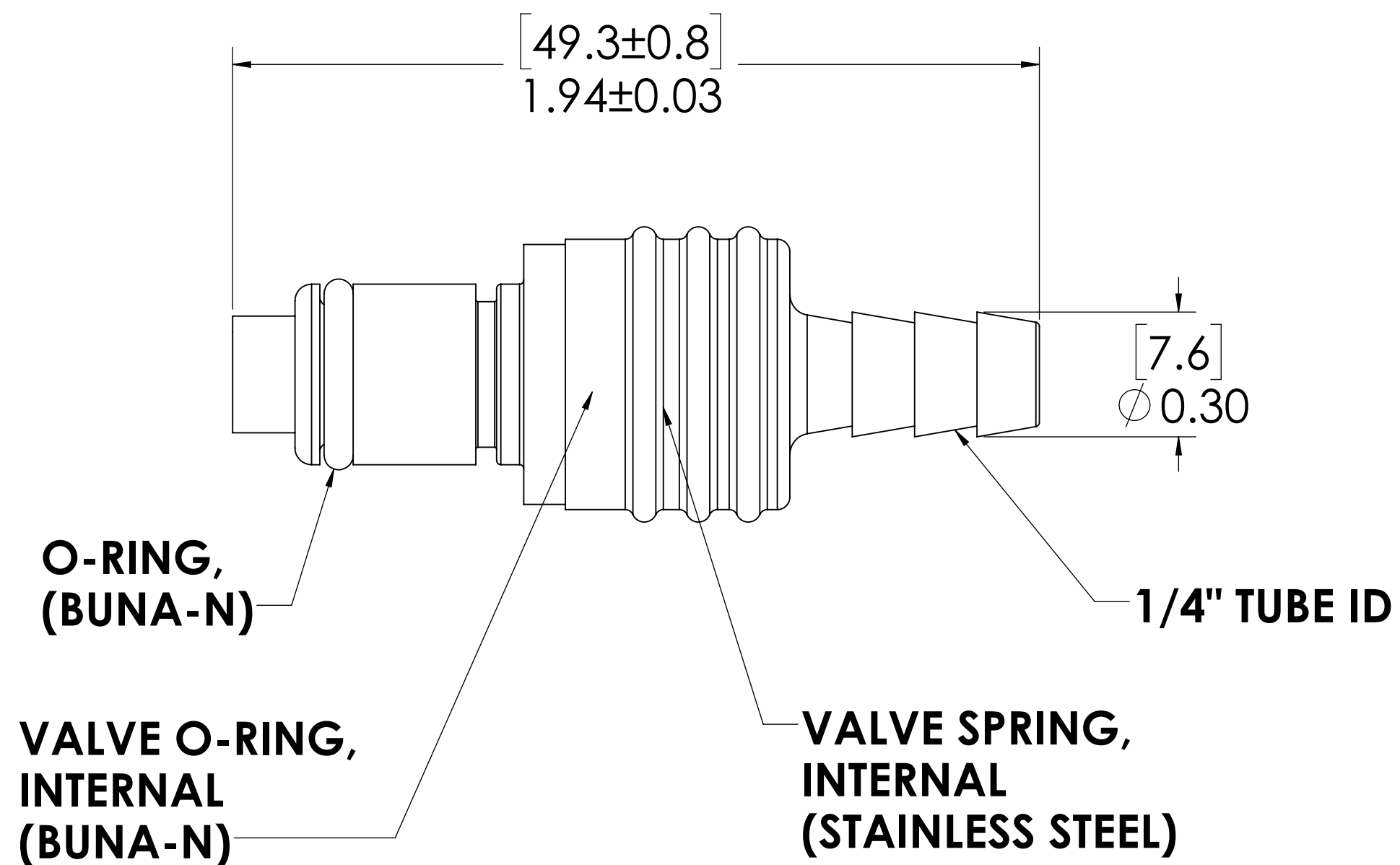
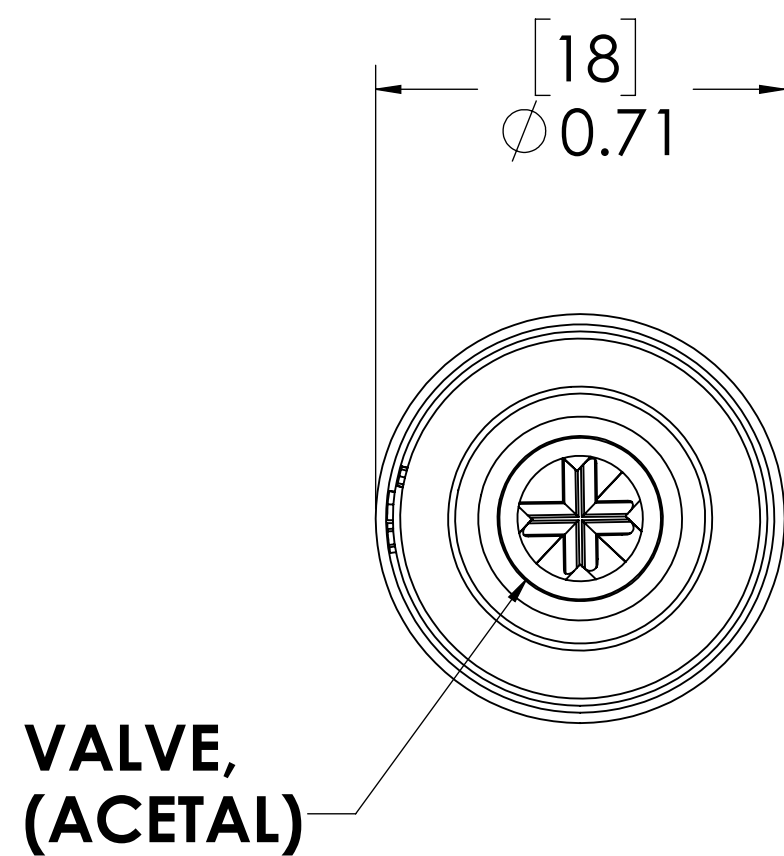
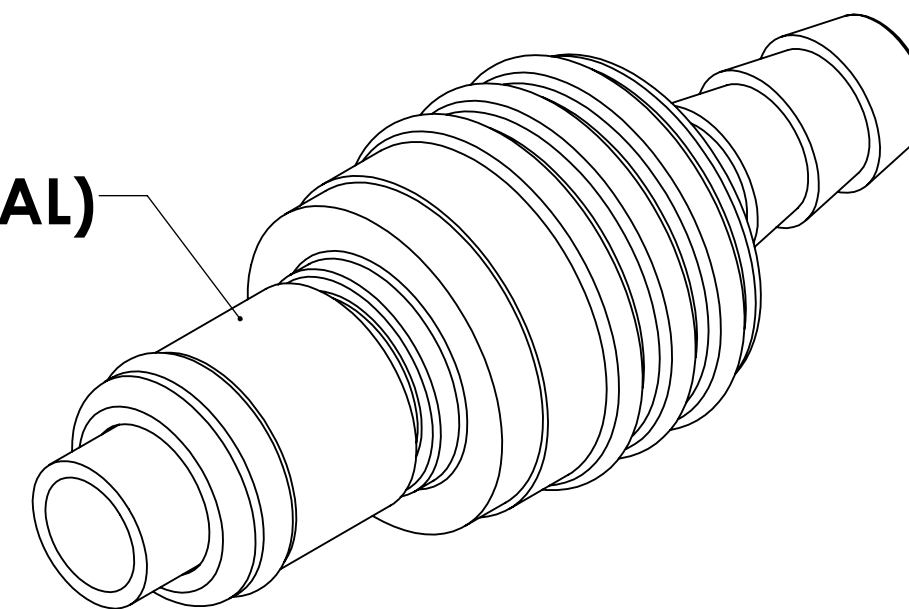


REVISIONS						
SHEET	ZONE	REV.	ECO	DESCRIPTION	DATE	APPROVED
1	ALL	A	50251	RE-RELEASE	6/27/2017	HRC
1	ALL	B	50253	UPDATE DWG TO CURRENT FORMAT & STANDARDS	5/15/2018	HRC

**PLUG,  
(ACETAL)**



**NOTES:**

- MATERIAL: ACETAL
- COLOR: NATURAL WHITE
- O-RING MATERIAL: BUNA-N
- O-RINGS LUBRICATED WITH FOOD GRADE SILICONE OIL, 350 CST.

**FOR REFERENCE ONLY**

<small>UNLESS OTHERWISE SPECIFIED: DIMENSIONS ARE IN INCHES TOLERANCES: FRACTIONAL <math>\pm 1/32</math> ANGULAR: MACH <math>\pm 0.5</math> BEND <math>\pm 2</math> ONE PLACE DECIMAL <math>\pm 0.1</math> TWO PLACE DECIMAL <math>\pm 0.01</math> THREE PLACE DECIMAL <math>\pm 0.005</math> TWO PLACE DUAL (mm) <math>[\pm 0.12]</math></small>	DRAWN	ER	07-27-17		
	CHECKED	XXX	XXX		PART NO: <b>40ACV-PB2-04</b>
	ENG APPR.	XXX	XXX		DESCRIPTION: <b>LinkTech 40AC Series Straight Male, Valved, 1/4" HB, Natural Acetal</b>
	MFG APPR.	XXX	XXX		SIZE DWG. NO. REV <b>C 40AC400200 B</b>
<small>PROPRIETARY AND CONFIDENTIAL THE INFORMATION CONTAINED IN THIS DRAWING IS THE SOLE PROPERTY OF LINKTECH LLC. ANY REPRODUCTION OR DISCLOSURE IN PART OR AS A WHOLE WITHOUT THE WRITTEN PERMISSION OF LINKTECH LLC IS STRICTLY PROHIBITED.</small>	Q.A.	XXX	XXX	SCALE: NTS WEIGHT: SHEET 1 OF 1	