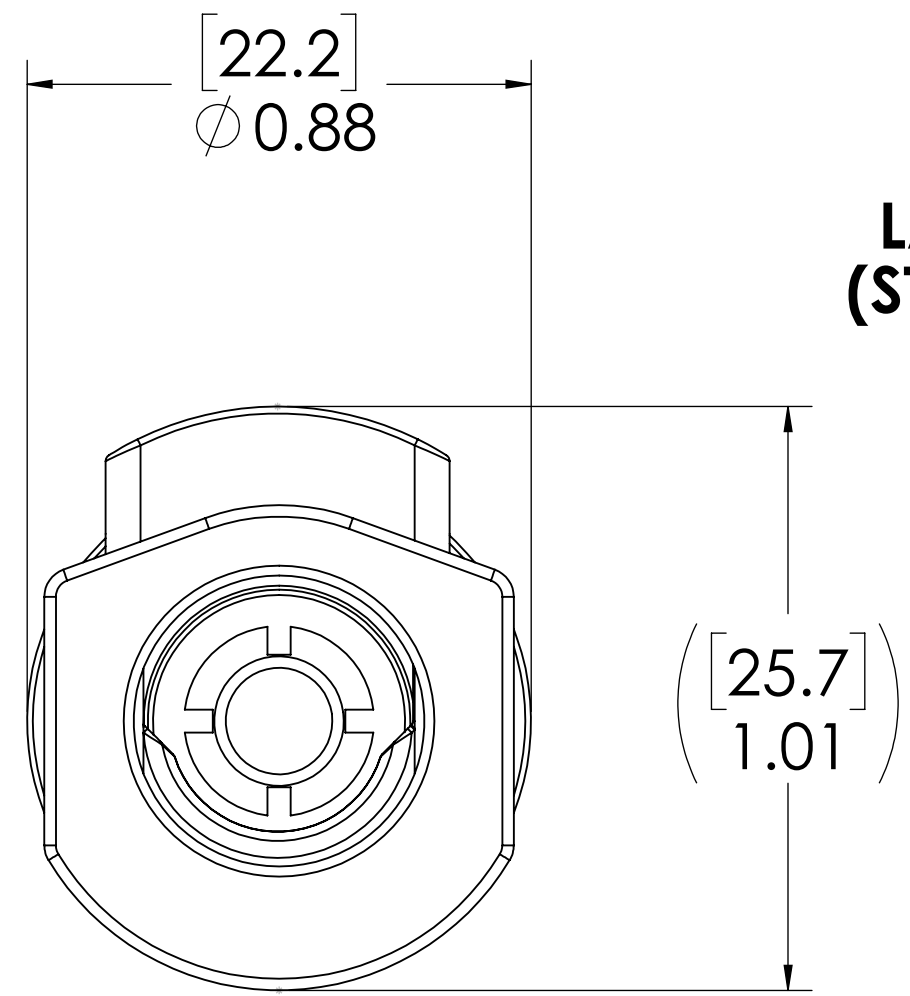
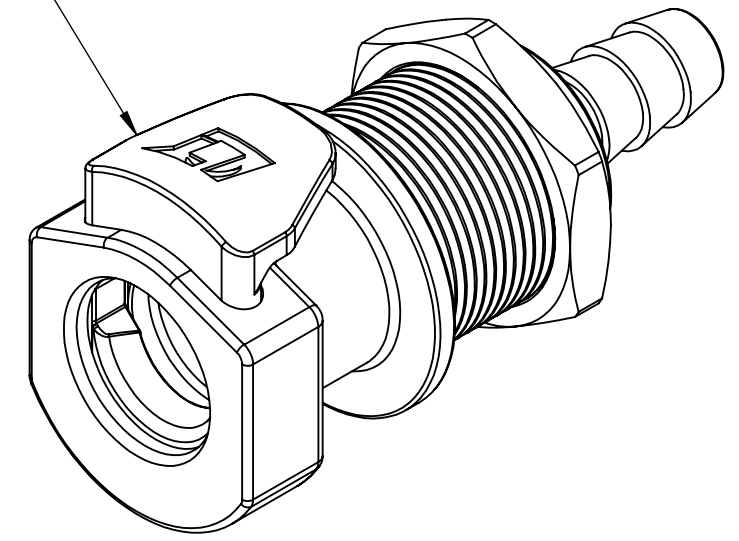
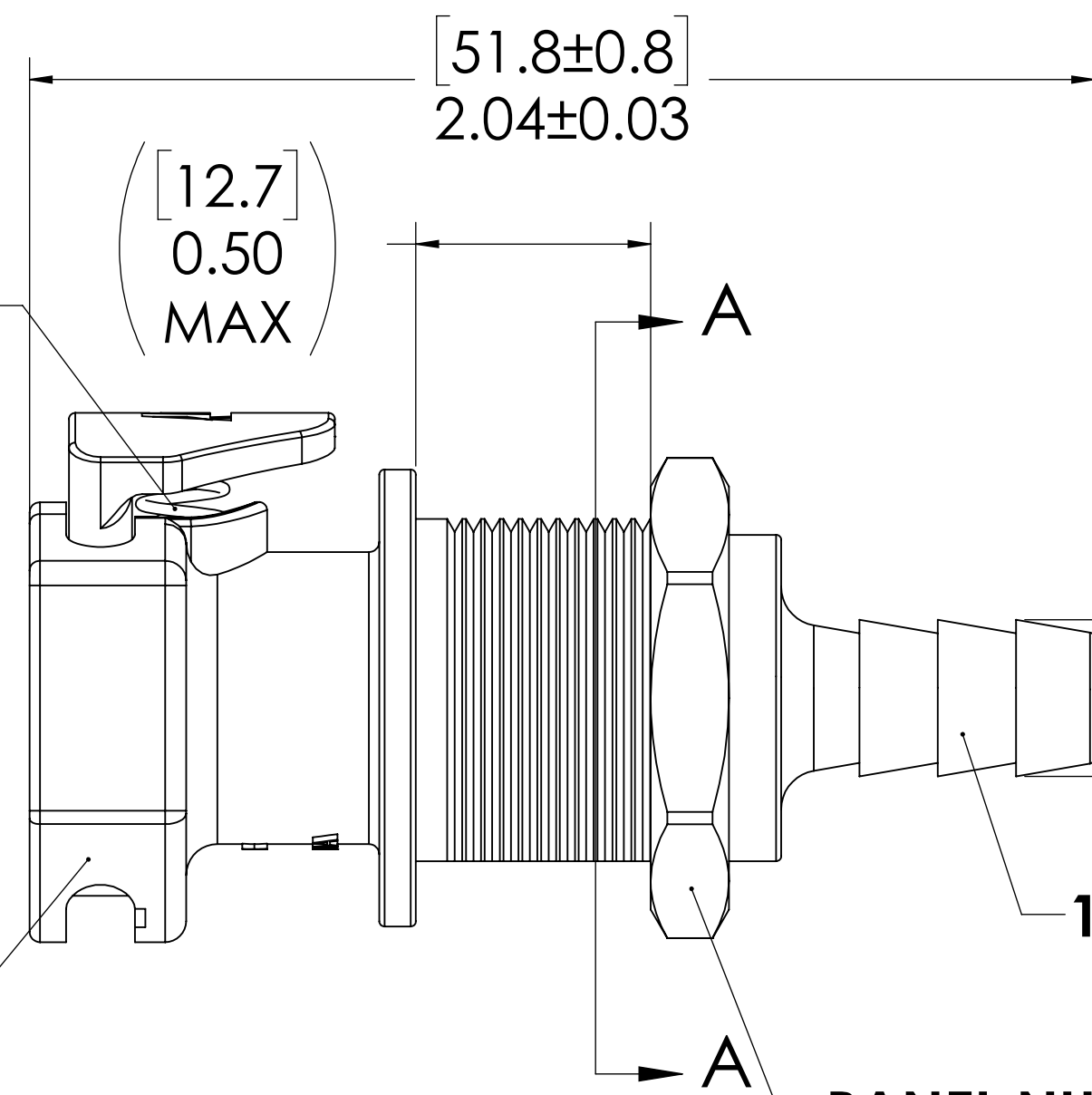


REVISIONS						
SHEET	ZONE	REV.	ECO	DESCRIPTION	DATE	APPROVED
1	ALL	A	S0253	DRAFTING UPDATE	7/27/2018	HRC

**LATCH,
(ACETAL)**

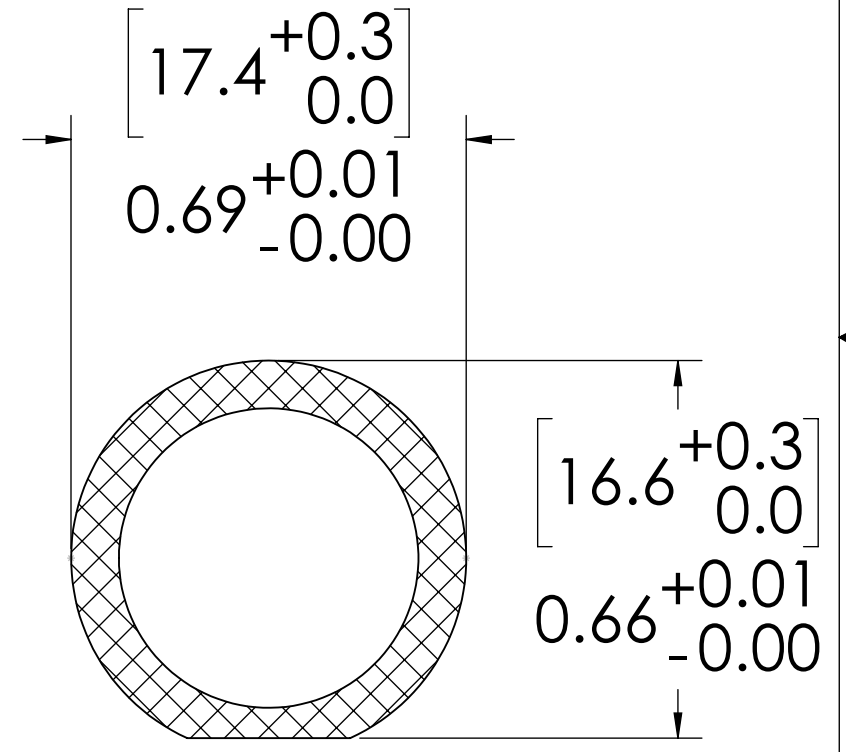


**LATCH SPRING,
(STAINLESS STEEL)**



**SOCKET,
(ACETAL)**

**PANEL NUT,
(BRASS, NICKEL PLATED)
(PACKAGED SEPERATELY)**



**PANEL OPENING
(SECTION A-A)**

- NOTES:**
- MATERIAL: ACETAL
 - COLOR: NATURAL WHITE

FOR REFERENCE ONLY

<small>UNLESS OTHERWISE SPECIFIED: DIMENSIONS ARE IN INCHES TOLERANCES: FRACTIONAL ± 1/32 ANGULAR: MACH ± 0.5 BEND ± 2 ONE PLACE DECIMAL ± 0.1 TWO PLACE DECIMAL ± 0.01 THREE PLACE DECIMAL ± 0.005 TWO PLACE DUAL (mm) [± 0.12]</small>	DRAWN	CBH	7/12/2017	
	CHECKED	HRC	7/12/2017	
	ENG APPR.	HRC	7/27/18	
	MFG APPR.	BDB	7/27/18	
PRODUCTION	LS	7/27/18		PART NO: 50AC-S3-04 DESCRIPTION: LinkTech 50AC Series Panel Mt. Female, Non-valved, 1/4" HB, Natural Acetal
<small>PROPRIETARY AND CONFIDENTIAL THE INFORMATION CONTAINED IN THIS DRAWING IS THE SOLE PROPERTY OF LINKTECH LLC. ANY REPRODUCTION OR DISCLOSURE IN PART OR AS A WHOLE WITHOUT THE WRITTEN PERMISSION OF LINKTECH LLC IS STRICTLY PROHIBITED.</small>	COMMENTS:			SIZE DWG. NO. REV C 50AC500044 A
	SCALE: NTS WEIGHT:			SHEET 1 OF 1