

# R30SL SERIES

High Purity Low Flow Regulator

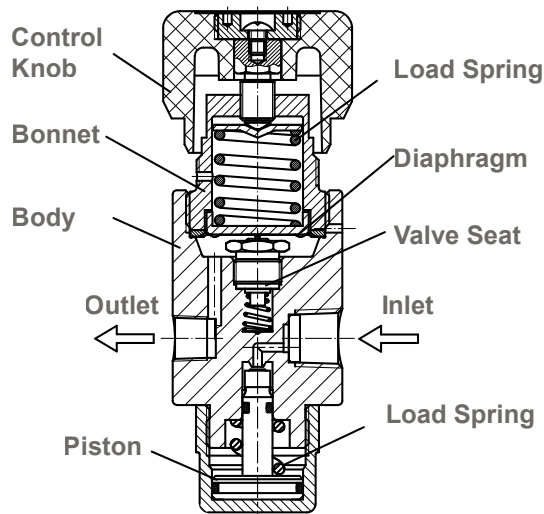
Specialty Gas Equipment



## » R30SL-

### Materials

- |                  |                      |
|------------------|----------------------|
| • Body           | 316L Stainless Steel |
| • Bonnet         | Stainless Steel      |
| • Seat           | PTFE                 |
| • Diaphragm      | 316L Stainless Steel |
| • Adjusting Knob | ABS Plastic          |



GENTEC® R30SL Series Dual Stage High Purity Diaphragm Regulator designed for applications where a consistent outlet pressure and flow are desired. The R30 series is designed for applications where size is a concern. The small footprint is ideal for gas chromatography, gas detection equipment, and emission monitoring systems.

### Product Features

- Dual-Stage Configuration
- Metal-to-Metal Seal
- Inlet Port Size: 1/4" NPT(F)
- Outlet Port Size: 1/8" NPT(F)
- 1.5" Pressure Gauge

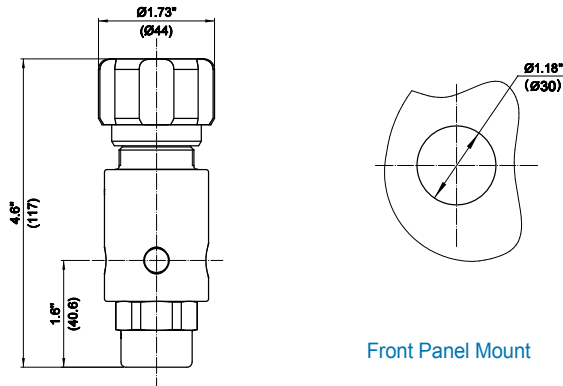
### Applications

- Gas Chromatography
- Research Laboratories
- Process Analyzer
- Petrochemical Industry
- Pharmaceutical & Biotechnology
- Gas Detection Equipment
- Emission Monitoring Systems

### Specifications

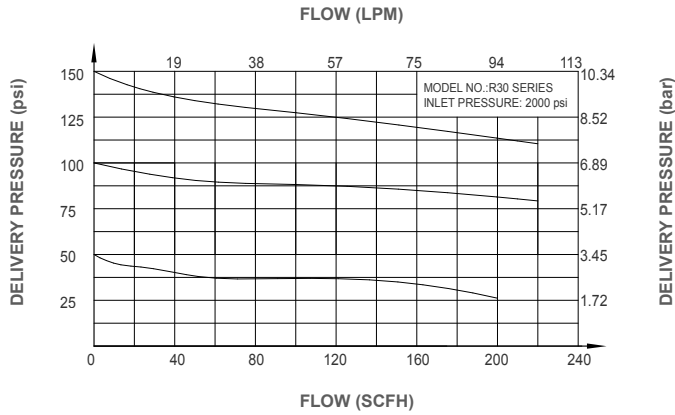
- Maximum inlet pressure: 3000 psi (206 bar)
- Maximum outlet pressure: 150 psi (10 bar)
- Safety test pressure: 1.5 x Maximum inlet pressure
- Temperature range: -40 to 165°F (-40 to 74°C)
- Inboard leakage:  $2 \times 10^{-8}$  atm.cc/sec He
- Outboard leakage:  $2 \times 10^{-8}$  atm.cc/sec He
- Maximum Cv: 0.05
- Weight: 1.6 lb (1.73 kg)

## Dimensions

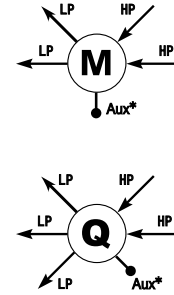


Front Panel Mount

## Flow Data



## Body Ports



\*: The "Aux." port is plugged, it can be used for testing only.

## Ordering Information

| EX: R30SL | Q          | T -     | D                     | I   | P -   | 00 -  | 20 -  | R  |
|-----------|------------|---------|-----------------------|---|---|---|---|--|
| Series    | Body Ports | Seat    | Inlet Pressure Range  | Outlet Pressure Ranges  | Gauge                                       | Inlet Connections   | Outlet Connections  | Options  |
| • R30SL   | M<br>Q     | T: PTFE | D: 3000 psi (206 bar) | H: 0-150 psi (10 bar)<br>I: 0-100 psi (7 bar)<br>K: 0-50 psi (3 bar)<br>L: 0-25 psi (1.5 bar) | P: psi / bar<br>K: psi / kPa<br>W: No Gauge | 00: 1/4" NPT(F)<br>C180: CGA180<br>C170: CGA170<br>C165: CGA165<br>C330: CGA330<br>C350: CGA350<br>C580: CGA580<br>C660: CGA660<br>C590: CGA590<br>52: G5/8"-RH (F)<br>63: W21.8-14RH (F)<br>64: W21.8-14LH (F)<br>Other connections available* | 20: 1/8" NPT(F)<br>10: 1/8" GENLOK<br>11: 1/4" GENLOK<br>15: 6 mm GENLOK<br>16: 8 mm GENLOK<br>74: 1M8 x 1RH(M)<br>Other connections available* | P: Panel Mount<br>R: Relief Valve<br>(For "Q" body configuration only) |

\*: Please see page 83 for more inlet connection options such as DIN, BSP, CGA, and JIS.

# R31SL SERIES

High Purity Low Flow Regulator

Specialty Gas Equipment



» R31SLMK-DIK-C350-11-D

## Materials

- **Body** 316 Stainless Steel
- **Bonnet** 316L Stainless Steel
- **Seat** PCTFE
- **Diaphragm** 316L Stainless Steel
- **Adjusting Knob** ABS Plastic

GENTEC® R31SL Series Stainless Steel Regulator is a diaphragm-sensed dual-stage high purity regulator designed for applications where a consistent outlet pressure and flow are desired.

## Product Features

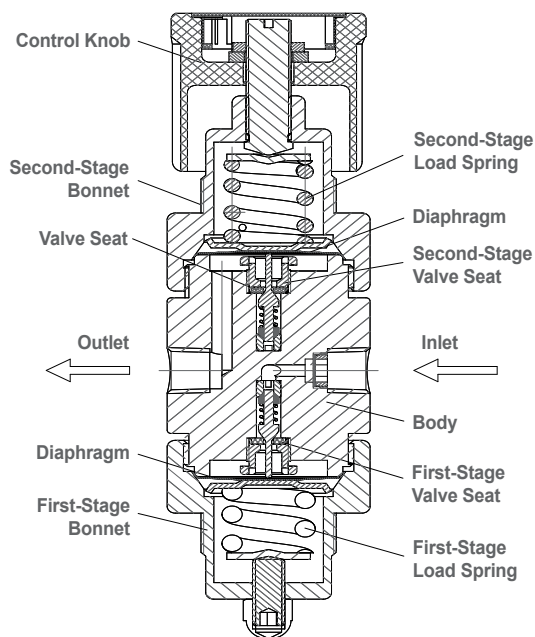
- Dual-Stage Configuration
- Metal-to-Metal Seal
- Inlet & Outlet Port Size: 1/4" NPT(F)
- 2" Pressure Gauge

## Applications

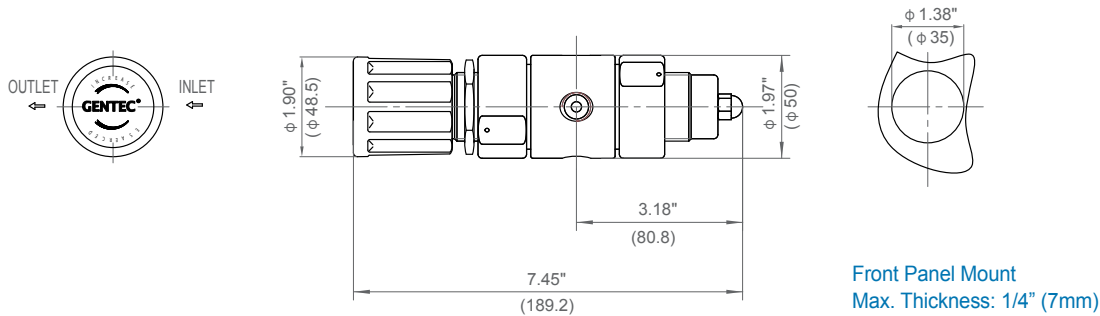
- Research Laboratories
- Gas Chromatography
- Process Analyzers
- Petrochemical Industry
- Power Plant

## Specifications

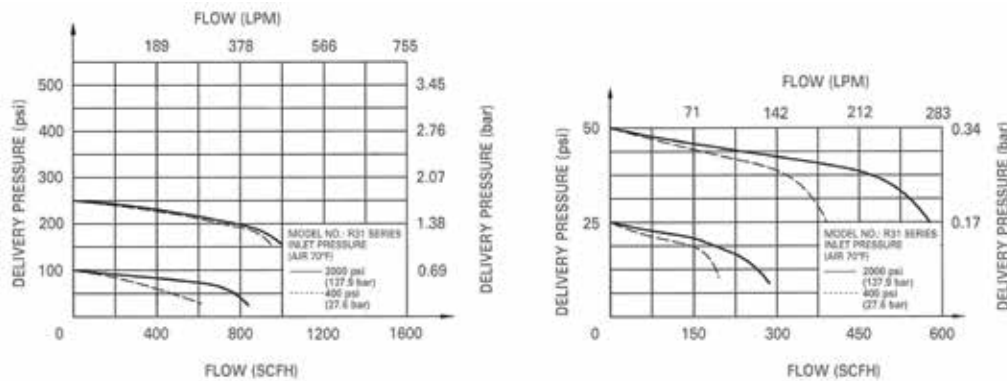
- **Maximum inlet pressure:** 4500 psi (310 bar)
- **Maximum outlet pressure:** 250 psi (17 bar)
- **Safety test pressure:** 1.5 x Maximum inlet pressure
- **Temperature range:** -40 to 165°F (-40 to 74°C)
- **Inboard leakage:**  $2 \times 10^{-8}$  atm.cc/sec He
- **Outboard leakage:**  $2 \times 10^{-8}$  atm.cc/sec He
- **Maximum Cv:** 0.06
- **Weight:** 4.03 lb (1.83 kg)



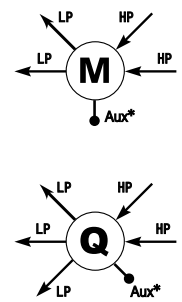
## Dimensions



## Flow Data



## Body Ports



\* For R31 Series, the "Aux." port is plugged. This port can be used for purging purpose only.  
 \* For the "Aux." port of R31 Series, this port is plugged and cannot be used for relief valve installation.

## Ordering Information

| EX:R31SL | M          | K -      | D  | I  | K -   | C350 -   | 11 -  | D  |
|----------|------------|----------|--|--|---|--|---|--|
| Series   | Body Ports | Seat     | Inlet Pressure Range                           | Outlet Pressure Ranges   | Gauge                                       | Inlet Connections  | Outlet Connections  | Options  |
| • R31SL  | M<br>Q     | K: PCTFE | C: 4500 psi (310 bar)<br>D: 3000 psi (206 bar) | G: 0-250 psi (17 bar)<br>I: 0-100 psi (7 bar)<br>K: 0-50 psi (3 bar)<br>L: 0-25 psi (1.5 bar)<br>Q: 30" Hg Vac-30 psi (2 bar)<br>S: 30" Hg Vac-100 psi (7 bar)<br>T: 30" Hg Vac-200 psi (14 bar) | P: psi / bar<br>K: psi / kPa<br>W: No Gauge | 00: 1/4" NPT(F)<br>C330: CGA330<br>C350: CGA350<br>C580: CGA580<br>C660: CGA660<br>C590: CGA590<br>DN05: DIN477 No.5<br>BS02: BS341 No.2<br>Other connections available* | 00: 1/4" NPT(F)<br>01: 1/4" NPT(M)<br>10: 1/8" GENLOK<br>11: 1/4" GENLOK<br>15: 6 mm GENLOK<br>16: 8 mm GENLOK<br>14B: 1/4" Hose Barb<br>Other connections available* | Blank: None<br>D: Diaphragm Valve<br>N: Needle Valve<br>P: Panel Mount<br>R: Relief Valve<br>H: Hastelloy® Diaphragm<br>DU: Dursan 2x coating<br>SI: Silconert coating |

\*: Please see page 83 for more inlet connection options such as DIN, BSP, CGA, and JIS.



GENTEC® R34SL Series Stainless Steel Regulator is a diaphragm-sensed dual-stage high purity regulator designed for applications where a consistent outlet pressure and flow are desired.

## Product Features

- Dual-Stage Configuration
- Metal-to-Metal Seal
- Inlet & Outlet Port Size: 1/2" NPT(F)

### » R34SLQK-DHW-04-04

## Materials

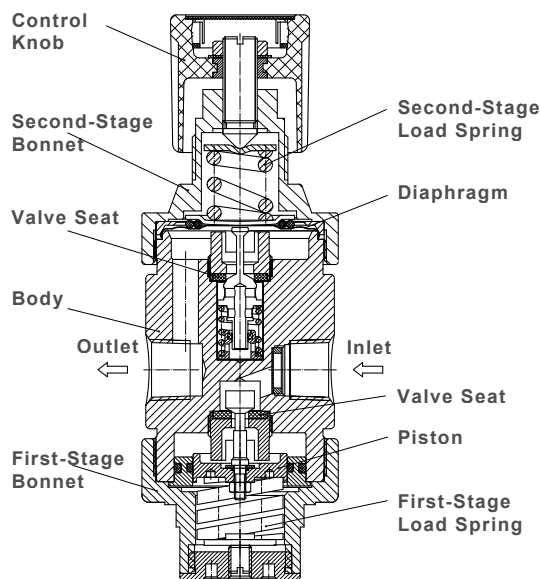
- |                  |                                  |
|------------------|----------------------------------|
| • Body           | 316 Stainless Steel              |
| • Bonnet         | 316L Stainless Steel             |
| • Seat           | PCTFE, Vespel®                   |
| • Diaphragm      | 316L Stainless Steel, Hastelloy® |
| • Adjusting Knob | ABS Plastic                      |

## Applications

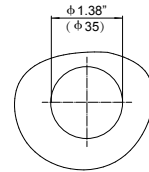
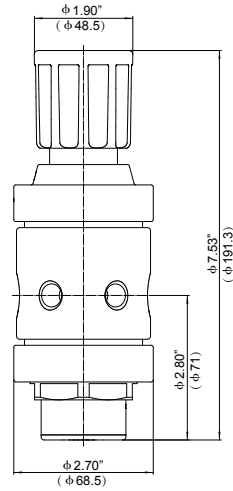
- Cylinder gas
- Laboratory
- Gas phase analysis
- Test instrument
- Petrochemical industry
- Power plant equipment

## Specifications

- Maximum inlet pressure: 3000 psi (206 bar)
- Maximum outlet pressure: 250 psi (17 bar)
- Safety test pressure: 1.5 x Maximum inlet pressure
- Temperature range: -40 to 165°F (-40 to 74°C)
- Inboard leakage:  $2 \times 10^{-8}$  atm.cc/sec He
- Outboard leakage:  $2 \times 10^{-8}$  atm.cc/sec He
- Maximum Cv: 1.0
- Weight: 5.97 lb (2.71 kg)

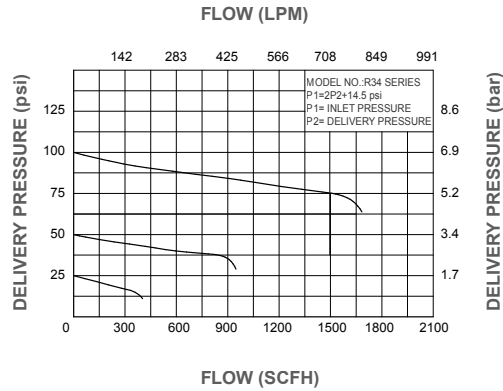
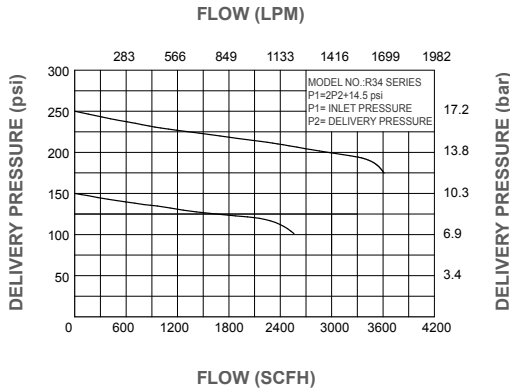


## Dimensions



Front Panel Mount

## Flow Data



## Ordering Information

| EX:R34SL | M          | K -                    | D  | G   | W -   | 04 -  | 04 -  | R   |
|----------|------------|------------------------|--|---|---|---|---|---|
| Series   | Body Ports | Seat                   | Inlet Pressure Range                         | Outlet Pressure Ranges  | Gauge                                       | Inlet Connections                                   | Outlet Connections                                  | Options   |
| • R34SL  | M<br>Q     | K: PCTFE<br>V: Vespel® | D: 3000 psi (206 bar)<br>F: 500 psi (35 bar) | G: 0-250 psi (17 bar)<br>H: 0-150 psi (10 bar)<br>I: 0-100 psi (7 bar)<br>J: 0-75 psi (5.2 bar)<br>K: 0-50 psi (3 bar)<br>L: 0-25 psi (1.5 bar) | P: psi / bar<br>K: psi / kPa<br>W: No Gauge | 04: 1/2" NPT(F)<br><br>Other connections available* | 04: 1/2" NPT(F)<br><br>Other connections available* | P: Panel Mount<br>R: Relief Valve<br>H: Hastelloy®<br>Diaphragm |

\*: Please see page 83 for more inlet connection options such as DIN, BSP, CGA, and JIS.