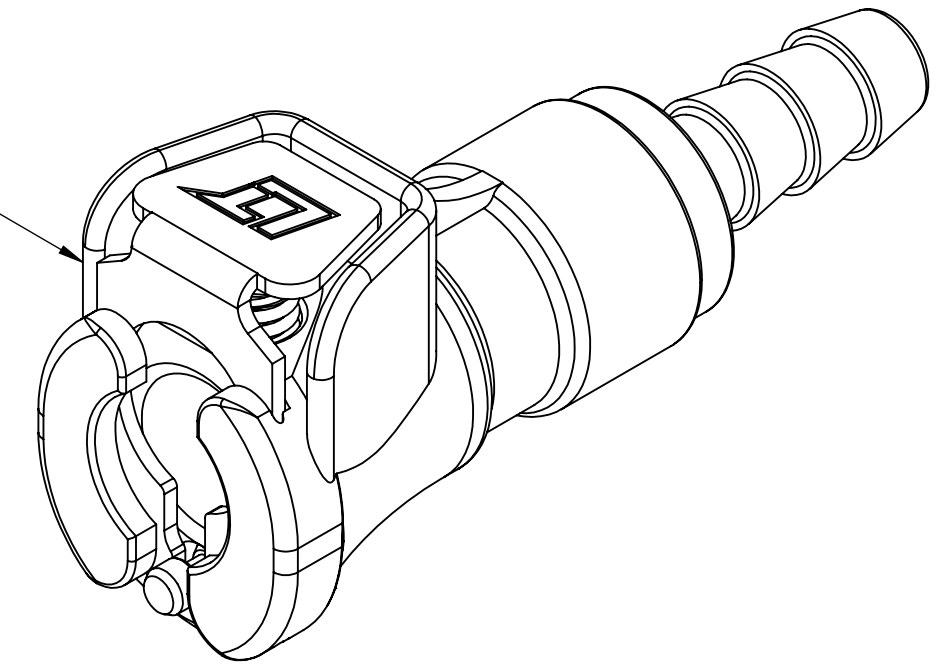
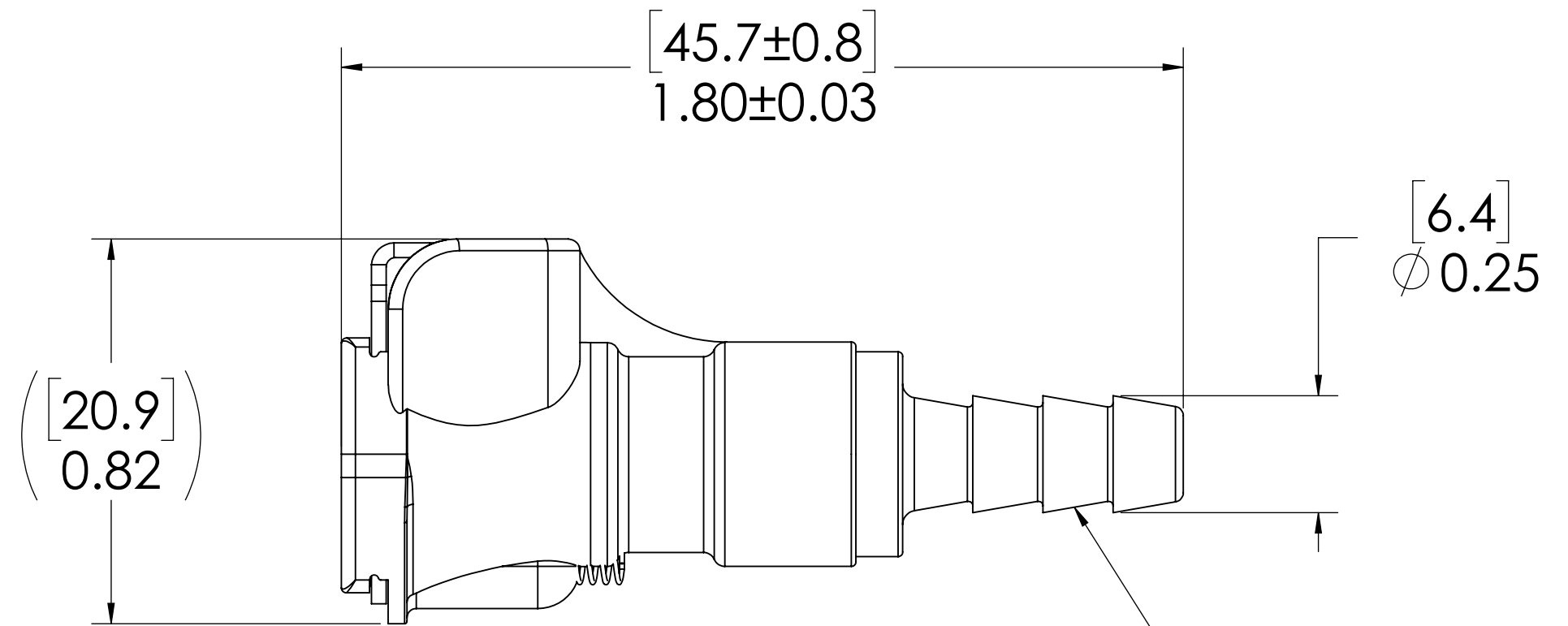
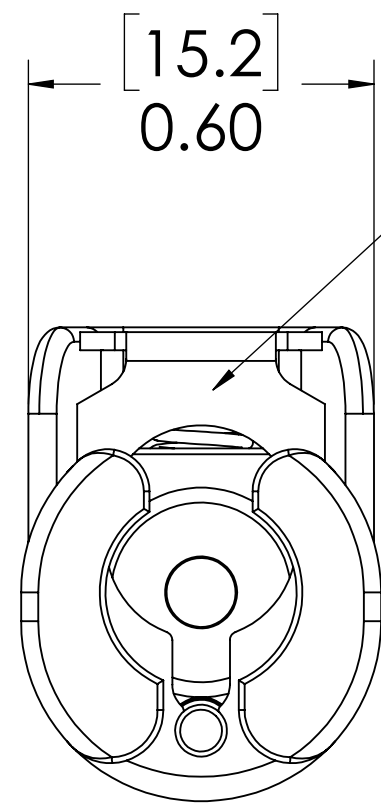


REVISIONS						
SHEET	ZONE	REV.	ECO	DESCRIPTION	DATE	APPROVED
1	ALL	A	50242	PIN AND PIN SPRING UPDATE	11/1/2017	HRC

**SOCKET,
(ACETAL)**




**LATCH HARDWARE,
(STAINLESS STEEL)**



NOTES:

1. MATERIAL: ACETAL
2. COLOR: NATURAL WHITE

FOR REFERENCE ONLY

<small>UNLESS OTHERWISE SPECIFIED: DIMENSIONS ARE IN INCHES TOLERANCES: FRACTIONAL ± 1/32 ANGULAR: MACH ± 0.5 BEND ± 2 ONE PLACE DECIMAL ± 0.1 TWO PLACE DECIMAL ± 0.01 THREE PLACE DECIMAL ± 0.005 TWO PLACE DUAL (mm) [± 0.12]</small>	DRAWN	RDA	7/12/2017	 PART NO: 20AC-S2-03 DESCRIPTION: LinkTech 20AC Series Straight Female, Non-valved, 316 HB, Natural Acetal	
	CHECKED	HRC	8/4/2017		
	ENG APPR.	HRC	11-01-17		
	MFG APPR.	BDB	11-01-17		
<small>PROPRIETARY AND CONFIDENTIAL THE INFORMATION CONTAINED IN THIS DRAWING IS THE SOLE PROPERTY OF LINKTECH LLC. ANY REPRODUCTION OR DISCLOSURE IN PART OR AS A WHOLE WITHOUT THE WRITTEN PERMISSION OF LINKTECH LLC IS STRICTLY PROHIBITED.</small>	PURCHASING	RK	11-01-17	<small>SIZE DWG. NO. REV</small> C 20AC200322 A	
COMMENTS:			SCALE: NTS	WEIGHT:	SHEET 1 OF 1