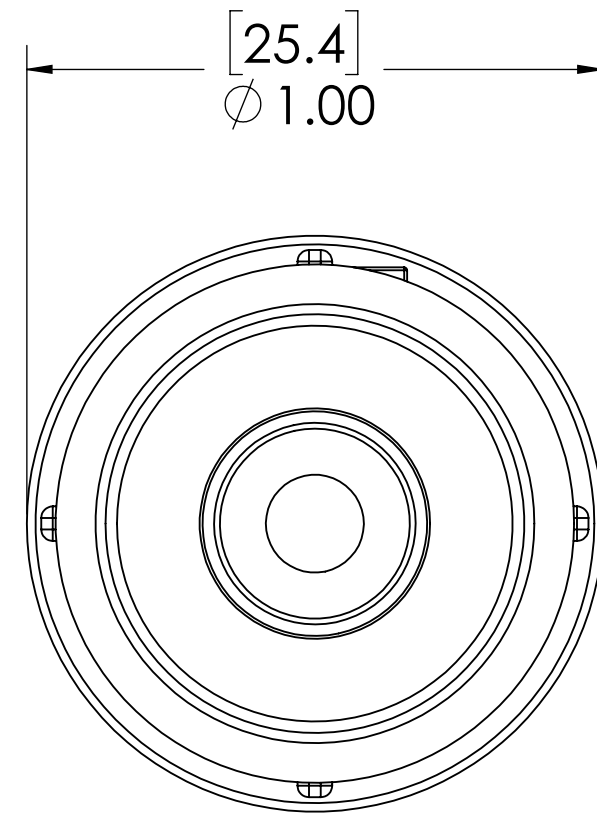
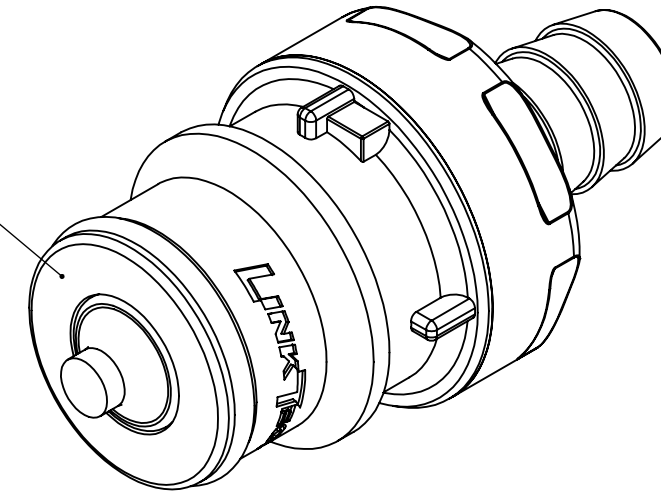


REVISIONS						
SHEET	ZONE	REV.	ECO	DESCRIPTION	DATE	APPROVED
1-D3	1-D3	A	50257	CHANGED O-RING SIZE; UPDATED FORMAT & NOTES	11/20/2017	HRC

PLUG,  
(POLYPROPYLENE)

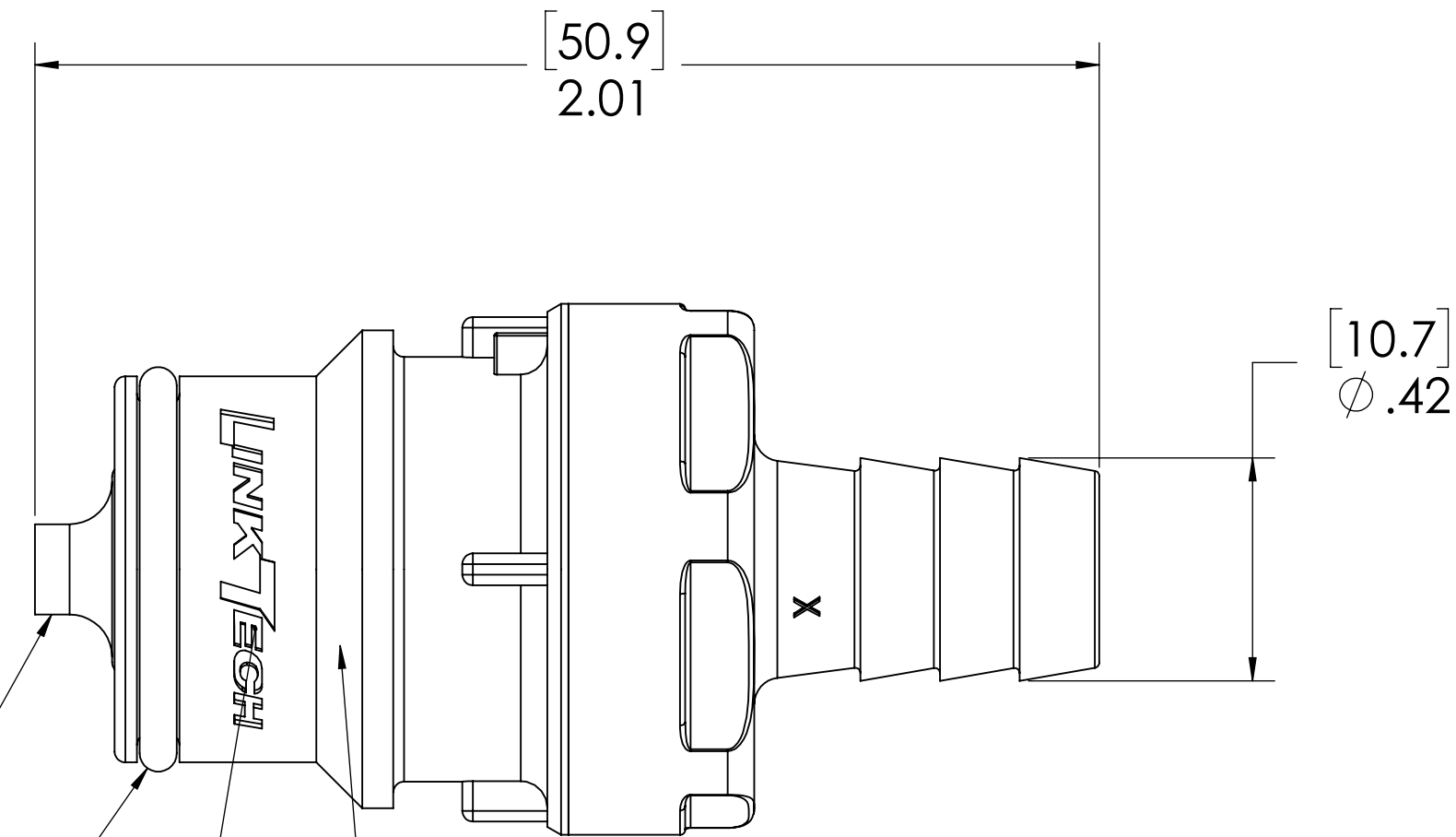


VALVE  
(POLYPROPYLENE)

O-RING  
(EPDM)

INTERNAL O-RING  
(EPDM)

VALVE SPRING  
(STAINLESS STEEL)



**NOTES:**

- MATERIAL: POLYPROPYLENE
- COLOR: BLACK
- O-RING MATERIAL: EPDM
- O-RINGS LUBRICATED WITH FOOD GRADE SILICONE OIL, 350 CST

**FOR REFERENCE ONLY**

<small>UNLESS OTHERWISE SPECIFIED: DIMENSIONS ARE IN INCHES TOLERANCES: FRACTIONAL ± 1/32 ANGULAR: MACH ± 0.5 BEND ± 2 ONE PLACE DECIMAL ± 0.1 TWO PLACE DECIMAL ± 0.01 THREE PLACE DECIMAL ± 0.005 TWO PLACE DUAL (mm) [± 0.12]</small>	DRAWN	C. DAVIS	09-29-15							
	CHECKED	HRC	09-29-15							
	ENG APPR.	HRC	11-20-17							
	MFG APPR.	BDB	11-20-17							
<small>PROPRIETARY AND CONFIDENTIAL THE INFORMATION CONTAINED IN THIS DRAWING IS THE SOLE PROPERTY OF LINKTECH LLC. ANY REPRODUCTION OR DISCLOSURE IN PART OR AS A WHOLE WITHOUT THE WRITTEN PERMISSION OF LINKTECH LLC IS STRICTLY PROHIBITED.</small>	PRODUCTION	RK	11-20-17	<b>PART NO:</b> 60PPV-PE2-06BLK  <b>DESCRIPTION:</b> Linktech 60PP Series Straight Male, Valved, 3/8" HB, Molded Black Color, Polypropylene						
<small>COMMENTS:</small>				<table border="1"> <tr> <td>SIZE</td> <td>DWG. NO.</td> <td>REV</td> </tr> <tr> <td><b>C</b></td> <td><b>60PP600137</b></td> <td><b>A</b></td> </tr> </table>	SIZE	DWG. NO.	REV	<b>C</b>	<b>60PP600137</b>	<b>A</b>
SIZE	DWG. NO.	REV								
<b>C</b>	<b>60PP600137</b>	<b>A</b>								
<small>SCALE: NTS WEIGHT:</small>			<small>SHEET 1 OF 1</small>							