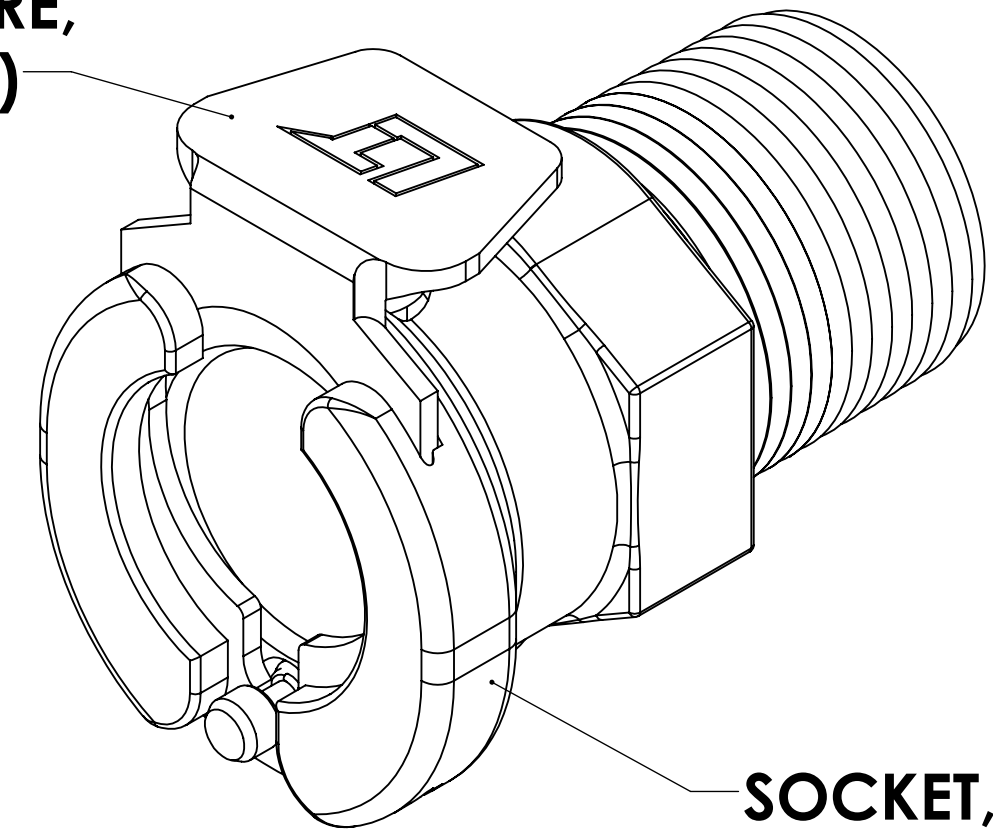
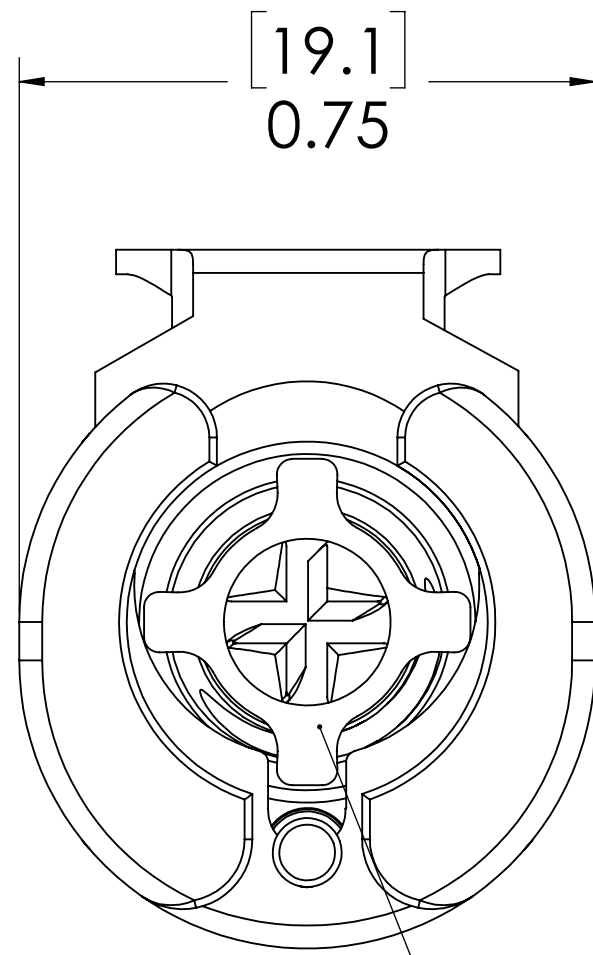


REVISIONS						
SHEET	ZONE	REV.	ECO	DESCRIPTION	DATE	APPROVED
1	ALL	NC	50242	PIN, PIN SPRING & 2017 FORMAT UPDATE	4/28/2017	HRC
1	ALL	A	50253	2017 FORMAT UPDATE	4/20/2018	HRC

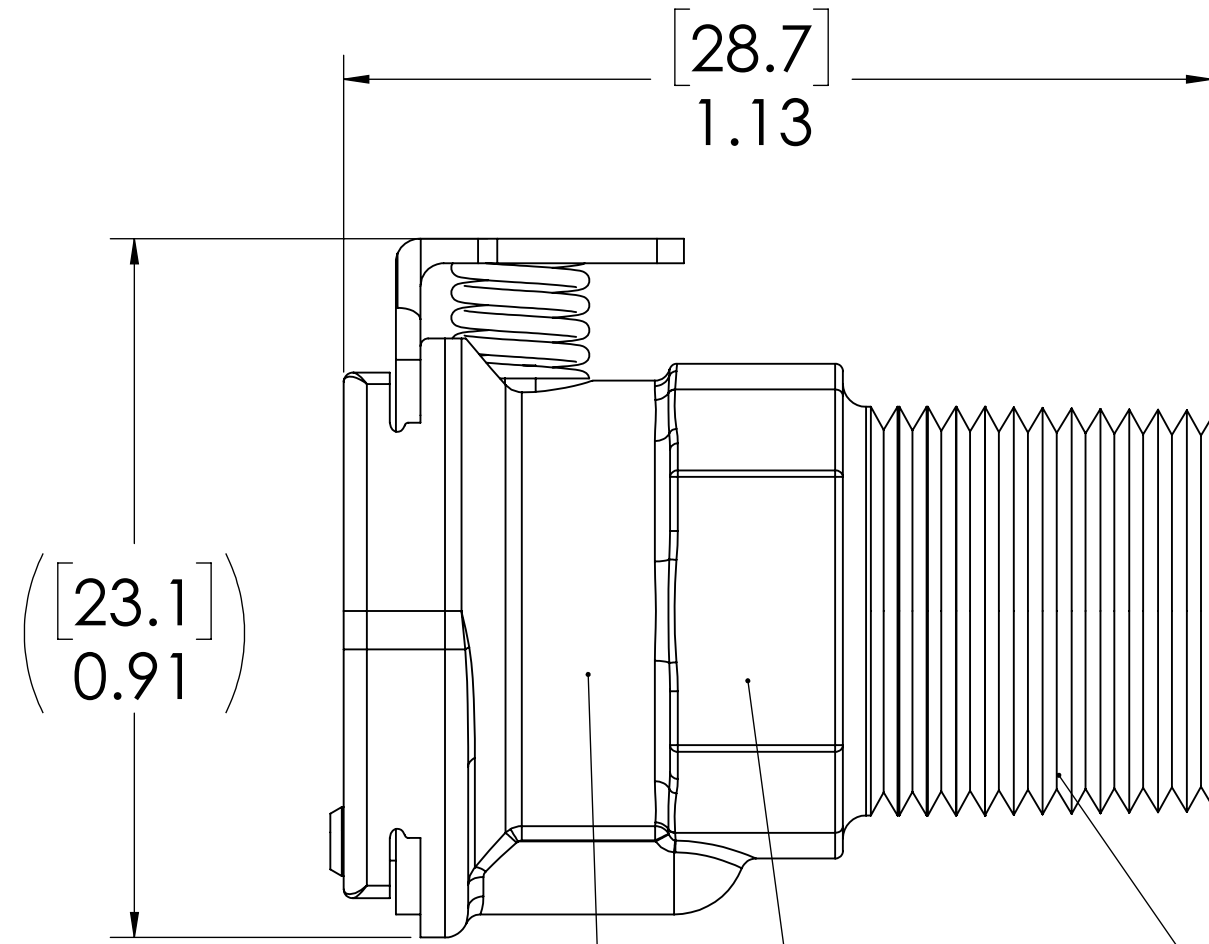
**LATCH HARDWARE,
(STAINLESS STEEL)**



**SOCKET,
(ACETAL)**



**VALVE,
(ACETAL)**



**VALVE SPRING,
INTERNAL
(STAINLESS STEEL)**

**VALVE O-RING,
INTERNAL
(BUNA-N)**

**1/4" NPT
(PIPE THREAD)**

NOTES:

- MATERIAL: ACETAL
- BODY COLOR: NATURAL WHITE
- O-RING MATERIAL: BUNA-N
- O-RINGS LUBRICATED WITH FOOD GRADE SILICONE OIL, 350 CST.

FOR REFERENCE ONLY

<small>UNLESS OTHERWISE SPECIFIED: DIMENSIONS ARE IN INCHES TOLERANCES: FRACTIONAL ± 1/32 ANGULAR: MACH ± 0.5 BEND ± 2 ONE PLACE DECIMAL ± 0.1 TWO PLACE DECIMAL ± 0.01 THREE PLACE DECIMAL ± 0.005 TWO PLACE DUAL (mm) [± 0.12]</small>	DRAWN	CKE	4/20/17	
	CHECKED	HRC	4/20/17	
	ENG APPR.	HRC	04-28-17	
	MFG APPR.	BDB	04-28-17	
PROPRIETARY AND CONFIDENTIAL	Q.A.	JJB	04-28-17	PART NO: 40ACV-SB1-04 <small>DESCRIPTION: LinkTech 40AC Series Male Thread Female, Valved, 1/4" MNPT, Natural Acetal</small>
<small>THE INFORMATION CONTAINED IN THIS DRAWING IS THE SOLE PROPERTY OF LINKTECH LLC. ANY REPRODUCTION OR DISCLOSURE IN PART OR AS A WHOLE WITHOUT THE WRITTEN PERMISSION OF LINKTECH LLC IS STRICTLY PROHIBITED.</small>	COMMENTS:		<small>SIZE DWG. NO. REV</small> C 40AC400192 A	<small>SCALE: NTS WEIGHT: SHEET 1 OF 1</small>