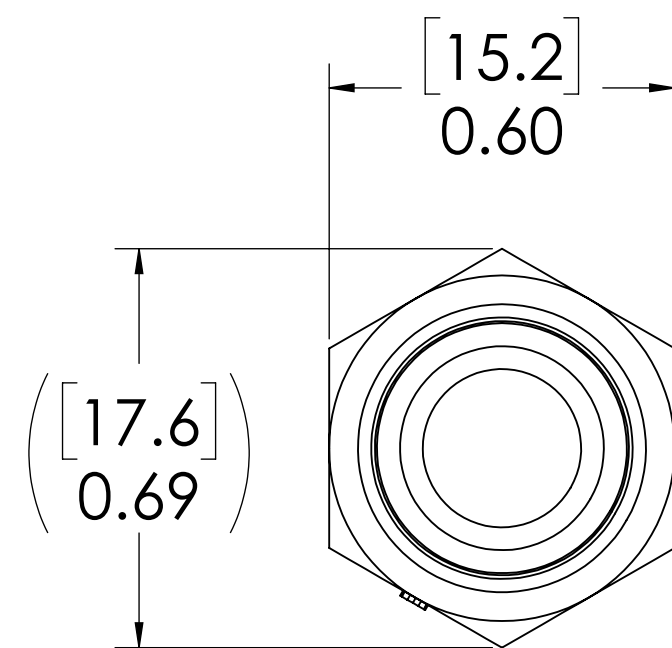
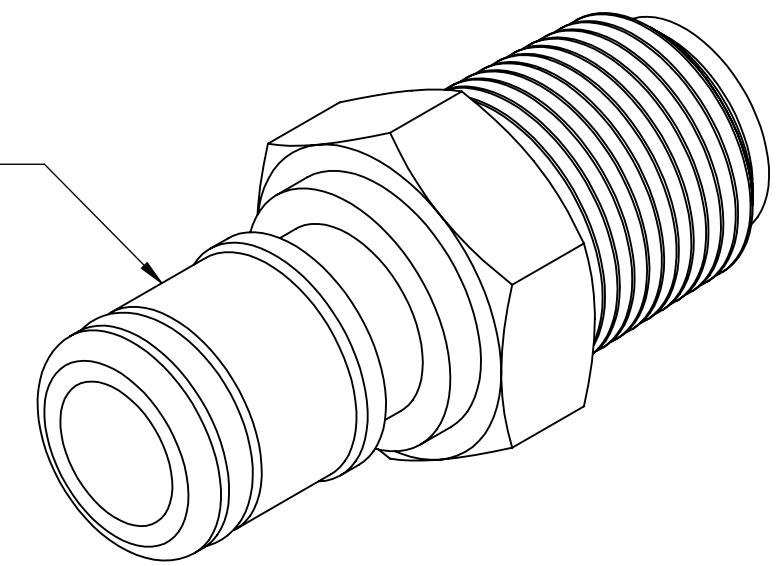
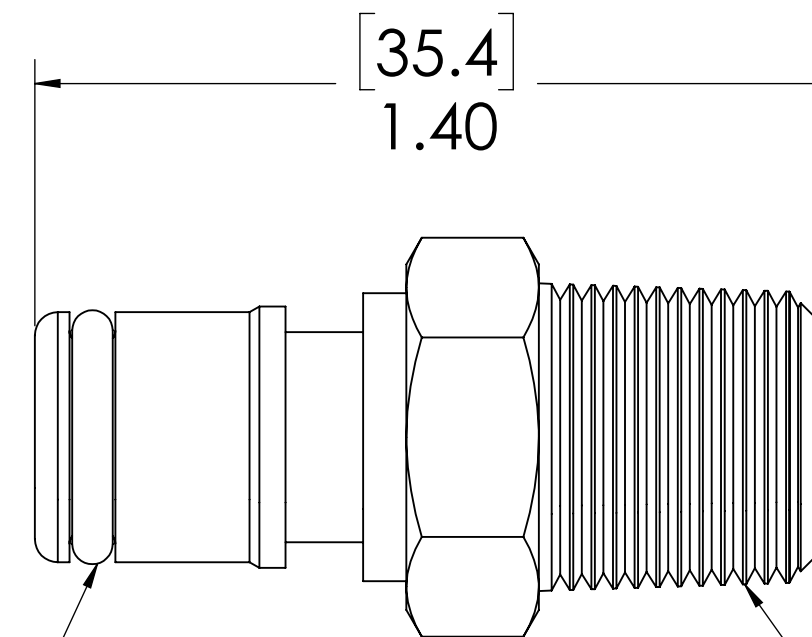


| REVISIONS | | | | | | |
|-----------|------|------|-------|---------------------|-----------|----------|
| SHEET | ZONE | REV. | ECO | DESCRIPTION | DATE | APPROVED |
| 1 | ALL | A | 50253 | 2017 F ORMAT UPDATE | 4/25/2018 | HRC |

**PLUG,
(ACETAL)**



**O-RING,
(BUNA-N)**




**1/4" NPT,
(PIPE THREAD)**

NOTES:

1. MATERIAL: ACETAL
2. COLOR: NATURAL WHITE
3. O-RING MATERIAL: BUNA-N
4. O-RINGS LUBRICATED WITH FOOD GRADE SILICONE OIL, 350 CST.

FOR REFERENCE ONLY

| | | | | |
|--|-----------|-----|--------------------|--|
| <small>UNLESS OTHERWISE SPECIFIED: DIMENSIONS ARE IN INCHES TOLERANCES: FRACTIONAL ± 1/32 ANGULAR: MACH ± 0.5 BEND ± 2 ONE PLACE DECIMAL ± 0.1 TWO PLACE DECIMAL ± 0.01 THREE PLACE DECIMAL ± 0.005 TWO PLACE DUAL (mm) [± 0.12]</small> | DRAWN | RDA | 8/18/2017 |  PART NO: 50AC-PB1-04 DESCRIPTION: LinkTech 50AC Series Male Thread Male, Non-valved, 250MNPT, Natural Acetal |
| | CHECKED | HRC | 8/18/2017 | |
| | ENG APPR. | HRC | 4/25/2018 | |
| | MFG APPR. | BDB | 4/25/2018 | |
| <small>PROPRIETARY AND CONFIDENTIAL THE INFORMATION CONTAINED IN THIS DRAWING IS THE SOLE PROPERTY OF LINKTECH LLC. ANY REPRODUCTION OR DISCLOSURE IN PART OR AS A WHOLE WITHOUT THE WRITTEN PERMISSION OF LINKTECH LLC IS STRICTLY PROHIBITED.</small> | Q.A. | JJB | 4/25/2018 | SIZE DWG. NO. REV C 50AC500262 A |
| COMMENTS: | | | SCALE: NTS WEIGHT: | SHEET 1 OF 1 |