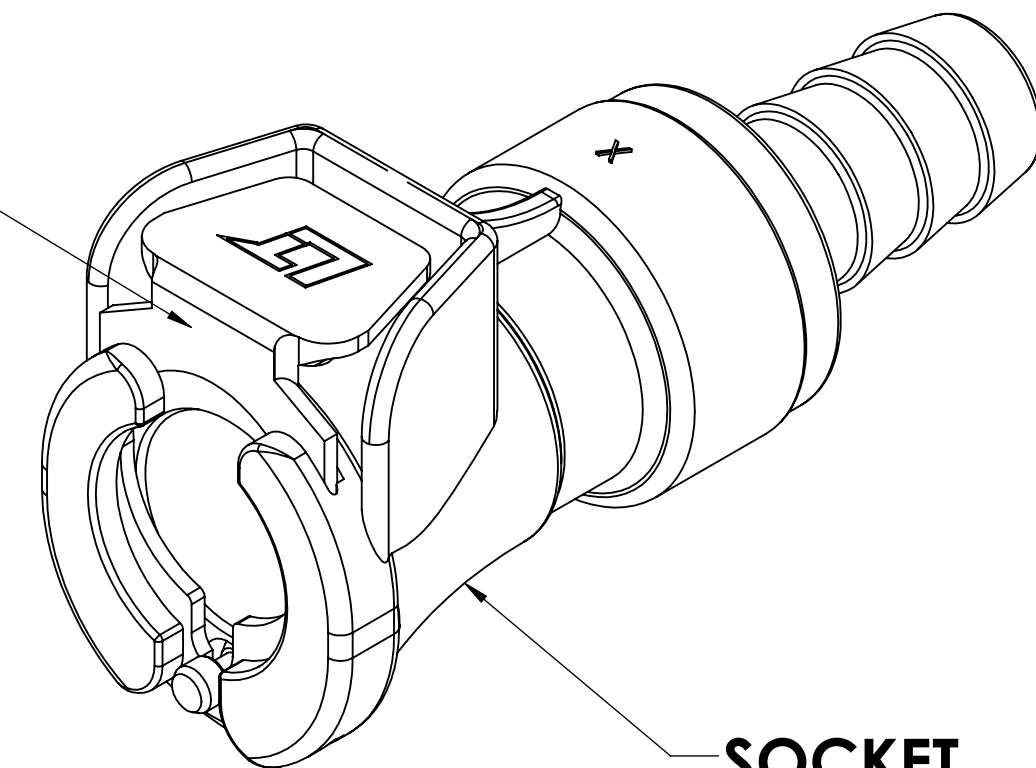
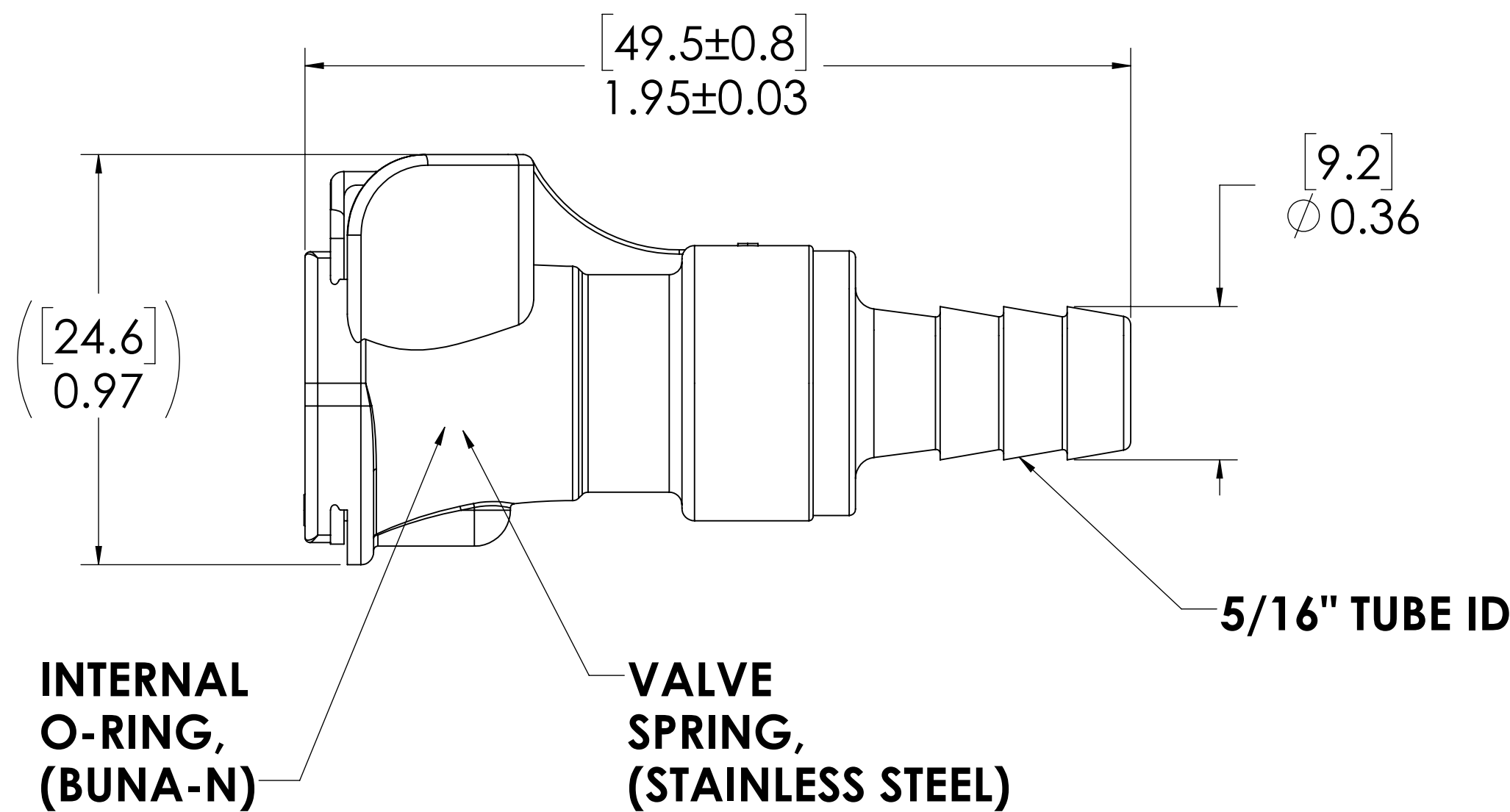
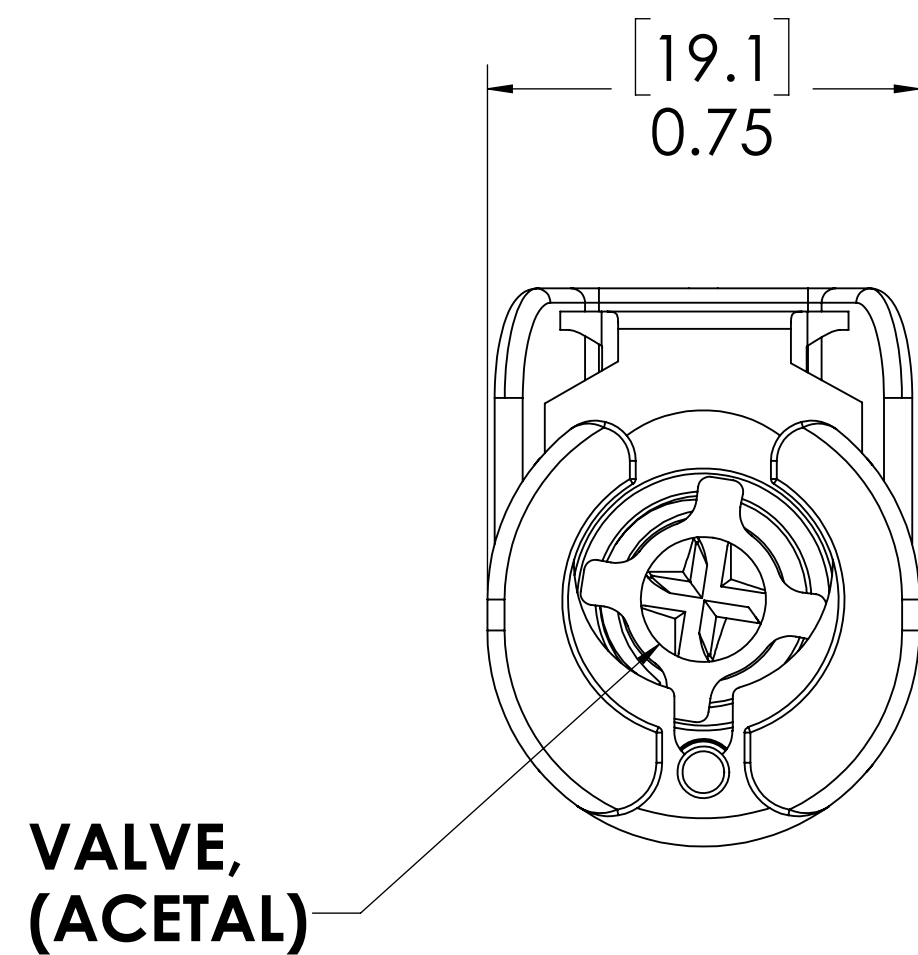


REVISIONS						
SHEET	ZONE	REV.	ECO	DESCRIPTION	DATE	APPROVED
1	ALL	B	50242	PIN, PIN SPRING & 2017 FORMAT UPDATE	10/25/2017	HRC

**LATCH HARDWARE,
(STAINLESS STEEL)**



**SOCKET,
(ACETAL)**



NOTES:

1. MATERIAL: ACETAL
2. COLOR: NATURAL WHITE
3. O-RING MATERIAL: BUNA-N
4. O-RINGS LUBRICATED WITH FOOD GRADE SILICONE OIL, 350 CST.

FOR REFERENCE ONLY

<small>UNLESS OTHERWISE SPECIFIED: DIMENSIONS ARE IN INCHES TOLERANCES: FRACTIONAL ±1/32 ANGULAR: MACH ±0.5 BEND ±2 ONE PLACE DECIMAL ±0.1 TWO PLACE DECIMAL ±0.01 THREE PLACE DECIMAL ±0.005 TWO PLACE DUAL (mm) [±0.12]</small>	DRAWN	CKE	6-22-17	
	CHECKED	HRC	6-22-17	
	ENG APPR.	HRC	10-25-17	
	MFG APPR.	BDB	10-25-17	
<small>PROPRIETARY AND CONFIDENTIAL THE INFORMATION CONTAINED IN THIS DRAWING IS THE SOLE PROPERTY OF LINKTECH LLC. ANY REPRODUCTION OR DISCLOSURE IN PART OR AS A WHOLE WITHOUT THE WRITTEN PERMISSION OF LINKTECH LLC IS STRICTLY PROHIBITED.</small>	Q.A.	JJB	10-25-17	PART NO: 40ACV-SB2-05
<small>COMMENTS:</small>				DESCRIPTION: LinkTech 40AC Series Straight Female, Valved, 516 HB, Natural Acetal
SIZE DWG. NO.		REV		C40AC400201 A
SCALE: NTS		WEIGHT:		SHEET 1 OF 1